
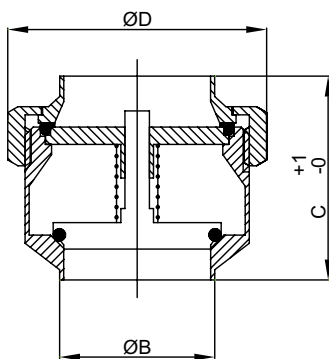


UCV Series

CKAN

 Sanitary Union Check Valve

 卫生级活结止回阀



SIZE	B		C		D	
	in	mm	in	mm	in	mm
1"	1.00	25.4	2.76	70	2.48	63
1 1/2"	1.50	38.1	2.95	75	3.07	78
2"	2.00	50.8	3.15	80	3.62	92
2 1/2"	2.50	63.5	3.54	90	4.41	112
3"	3.00	76.2	3.94	100	5.00	127