



| Application

The Estampinox EFI pump is a stainless steel centrifugal pump for the transfer of water and other liquids. It is designed to cater for the needs of auxiliary services in the food-processing, chemical, pharmaceutical and wine-making industries.

| Design and features

Estampinox EFI is a range of close-coupled centrifugal pumps. It is made of a cold-formed stainless steel casing, open impeller manufactured with stainless steel cold-formed plate or investment casting (according to model), mechanical seal, pump cover, lantern and shaft. Estampinox EFI centrifugal pump is provided with an internal single mechanical seal.

| Technical specifications

Materials:
 Parts in contact with the product Stainless steel AISI 316L (1.4404)
 Other steel parts Stainless steel AISI 304 (1.4301)
 Gaskets in contact with the product EPDM

Mechanical seal:
 Rotary part Cer
 Stationary part C
 Gaskets EPDM

Surface finish: Electropolished

Connections: Threaded connection (ISO 7)

Operating limits:
 Maximum working pressure 6 bar 87 PSI
 Temperature range -10°C to +90 °C 14 °F to 194 °F
 Maximum flow 65 m³/h 286 US GPM
 Maximum differential head 42 m 138 ft
 Maximum speed 3500 rpm

| Motor

Triphasic induction motor with B34 flange (B35 for motor frame 132), in compliance with the IEC standards, 2 poles = 3000/3600 rpm, IE-2 efficiency class, IP 55 protection and F-class insulation.

3 fases, 50 Hz, 220-240 V Δ / 380-420 V Y, ≤ 4 kW
 3 fases, 50 Hz 380-420 V Δ / 660-690 V Y, ≥ 5,5 kW

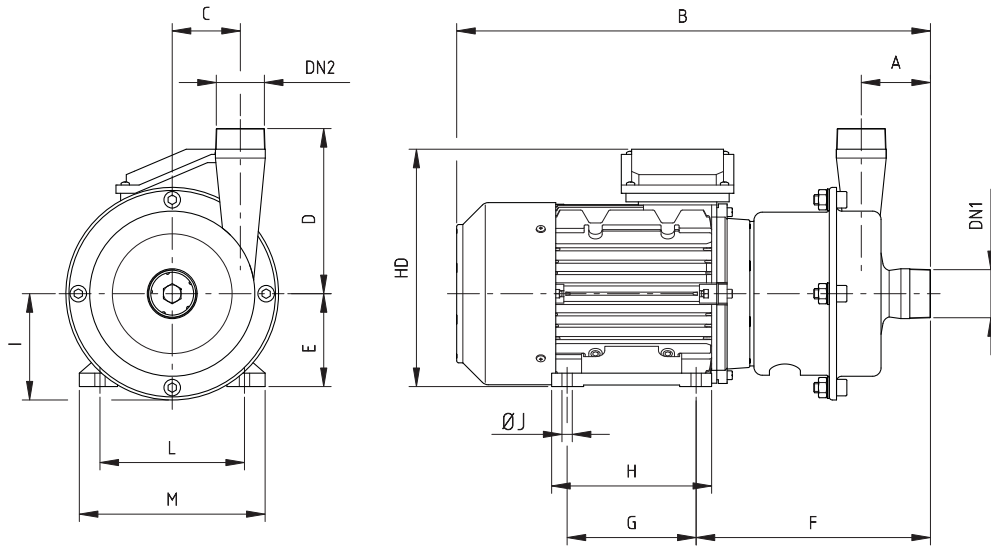
Estampinox EFI centrifugal pump with motor shroud



I Options

- AISI 304 motor shroud.
- Other materials for mechanical seals and gaskets.
- Motor with other voltages, frequencies and protection classes.
- Trolley and/or control panel.
- Different types of connections.

I Dimensions



Pump	Motor	kW	RPM	DN1	DN2	A	B	C	D	E	F	G	H	HD	I	ØJ	L	M	kg
EFI 0	71	0,25	1450	R 1	R 3/4	60	370	36	100	71	193	90	110	190	73	7	112	137	7
	71	0,37	2900				370			71	193	90	110	190	73	7	112	137	8
EFI 1	80	0,55	1450	R 1 1/2	R 1	64	405	48	110	80	204	100	125	220	86	9	125	160	12
	80	0,75	2900				395			80	204	100	125	220	86	9	125	160	13
EFI 2	90S	1,1	1450	R 1 1/2	R 1 1/2	67	450	66	160	90	227	100	130	240	103	10	140	175	19
	90L	2,2	2900				475			90	227	125	155	240	103	10	140	175	21
EFI 3	100	2,2	1450	R 2	R 2	70	520	92	192	100	251	140	180	265	128	12	160	200	32
	112	4	535				112			258	140	180	295	128	12	190	230	37	
	112	5,5	2900				535			112	258	140	180	295	128	12	190	230	41
	132S	7,5	600				132			300	140	180	335	150	12	216	255	67	

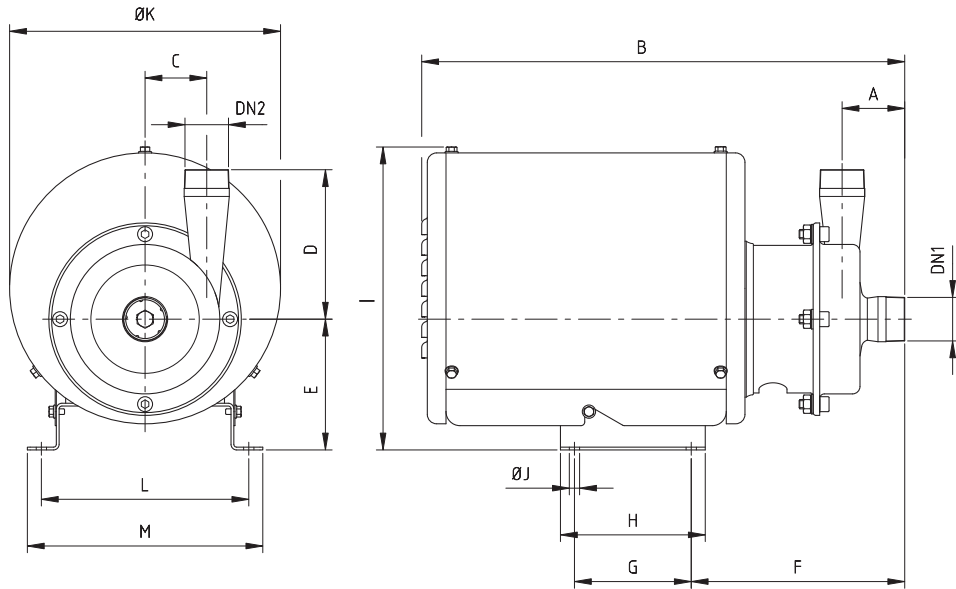


The information is for guidance only. We reserve the right to modify any material or feature without notice in advance. Photos are not binding. For further information, please, consult our web site. www.inoxpa.com



FT.Estampinox EFI.3.EN-0314

I Dimensions



Pump	Motor	kW	RPM	DN1	DN2	A	B	C	D	E	F	G	H	I	ØJ	ØK	L	M	kg
EFI 0	71	0,25	1450	R 1	R 3/4	60	430	36	100	115	195	90	110	260	7	230	182	202	11
	71	0,37	2900				430			115	195	90	110	260	7	230	182	202	11
EFI 1	80	0,55	1450	R 1 1/2	R 1	64	500	48	110	130	206	125	155	314	11	290	222	252	17
	80	0,75	2900				500			130	206	125	155	314	11	290	222	252	18
EFI 2	90S	1,1	1450	R 1 1/2	R 1 1/2	67	517	66	160	140	229	125	155	334	11	290	222	252	24
	90L	2,2	2900				517			140	229	125	155	334	11	290	222	252	26
EFI 3	100	2,2	1450	R 2	R 2	70	600	92	192	160	253	140	170	375	13	350	278	308	39
	112	4	2900				600			172	260	140	170	388	13	350	278	308	44
	112	5,5					600			172	260	140	170	388	13	350	278	308	48
	132S	7,5					730			192	302	178	214	425	13	400	317	347	78



The information is for guidance only. We reserve the right to modify any material or feature without notice in advance. Photos are not binding. For further information, please, consult our web site. www.inoxpa.com

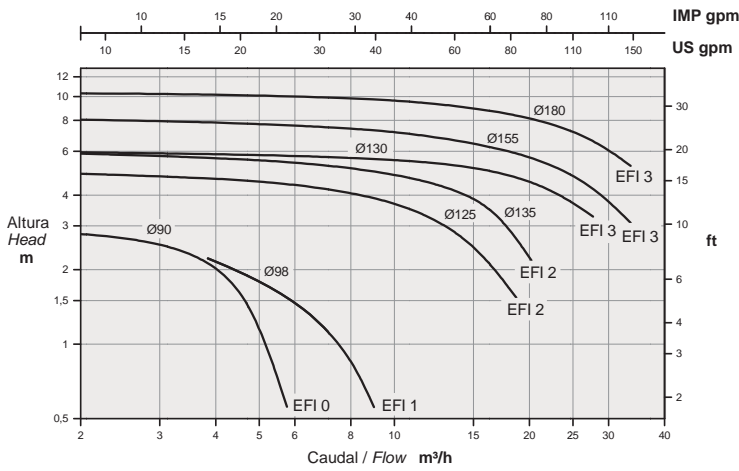


FT.Estampinox EFI.3.EN-0314

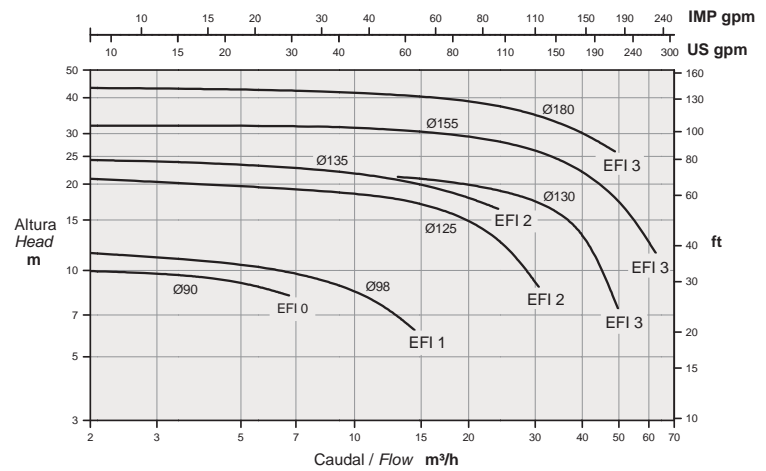
Performance charts

50 Hz

1450 rpm

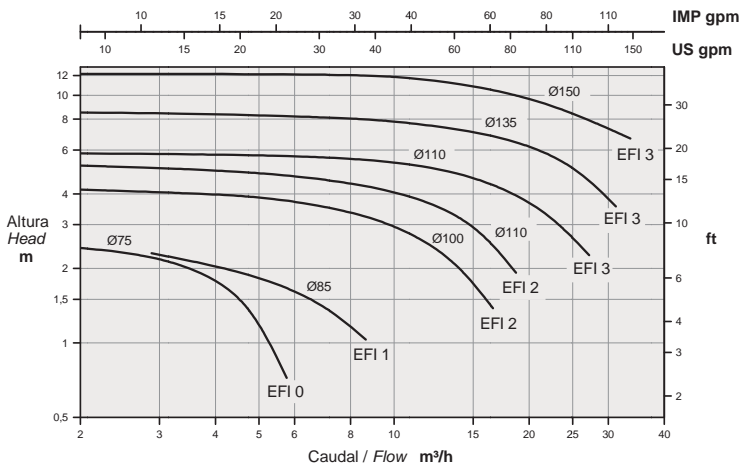


2900 rpm

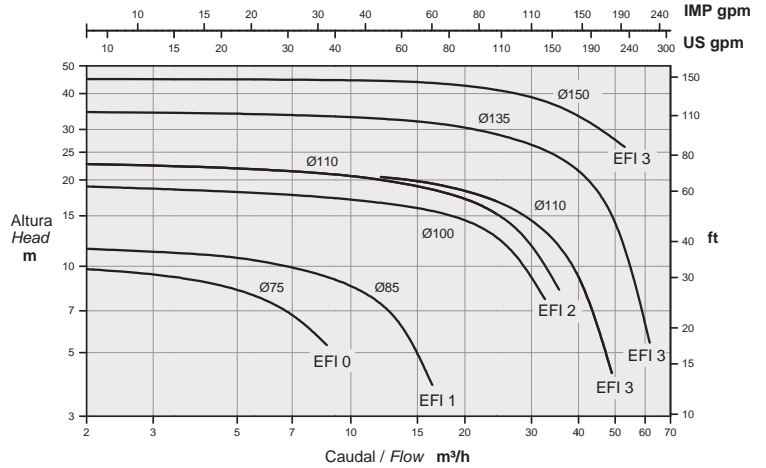


60 Hz

1750 rpm



3500 rpm



The information is for guidance only. We reserve the right to modify any material or feature without notice in advance. Photos are not binding. For further information, please, consult our web site. www.inoxpa.com



FT.Estampinox EFI.3.EN-0314