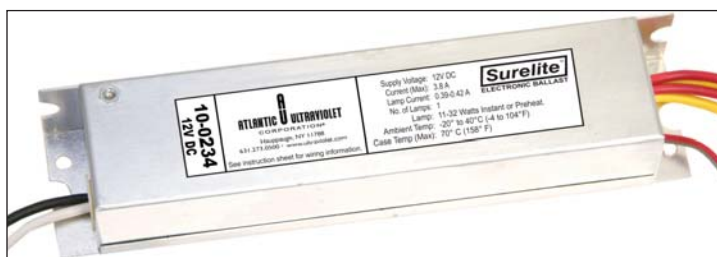




Specifications

Model Number: 10-0234
Input Voltage: 12 VDC
Frequency: 28-50 kHz.
Lamp Types: See Chart on Next Page
Size: 6.5" x 1.5" x 1.0"
Weight: 8 oz.
Mounting: Slotted Mounting Tab
Special Features: Lamp Status Indication via DC Signal Output
 (Connection to LED Required)



10-0234 12V DC	 ATLANTIC ULTRAVIOLET CORPORATION® Hauppauge, NY 11788 631.273.0500 • www.ultraviolet.com <small>See instruction sheet for wiring information.</small>	Supply Voltage: 12V DC Current (Max): 3.8 A Lamp Current: 0.39-0.42 A No. of Lamps: 1 Lamp: 11-32 Watts Instant or Preheat. Ambient Temp: -20° to 40°C (-4 to 104°F) Case Temp (Max): 70° C (158° F)	 Surelite™ ELECTRONIC BALLAST
---------------------------------	---	--	--

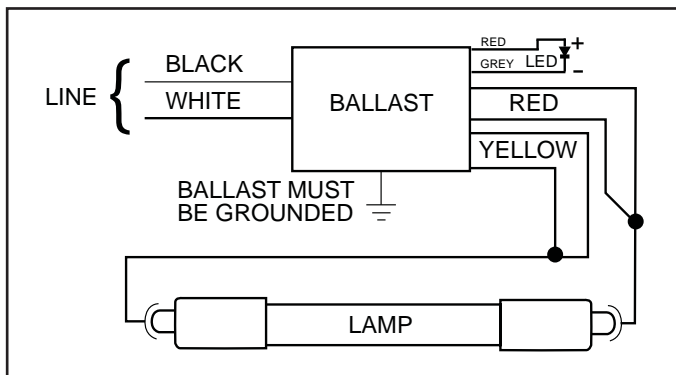
The information and recommendations contained in this publication are based upon data collected by the Atlantic Ultraviolet Corporation® and are believed to be correct. However, no guarantee or warranty of any kind, expressed or implied, is made with respect to the information contained herein. Specifications and information are subject to change without notice.

Lamp Types

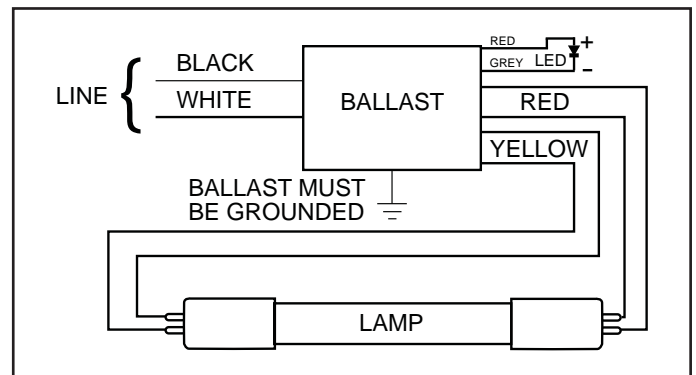
Instant Start/Preheat Low Ozone	Instant Start/Preheat Ozone Producing	Wiring Diagram
G12T5L	G12T5VH	1
G10T5½L	G10T5½VH	1
G18T5L	G18T5VH	1
G24T5L	G24T5VH	1
G30T5L	G30T5VH	1
GPH212T5L	GPH212T5VH	2
GPH254T5L	GPH254T5VH	2
GPH357T5L	GPH357T5VH	2
GPH436T5L	GPH436T5VH	2
GPH620T5L	GPH620T5VH	2

This ballast may be acceptable for use with lamps not listed here. Contact us to discuss your requirement.

Connections



Wiring Diagram 1



Wiring Diagram 2

If LED feature is not used, cut and cap off positive and negatives wires individually.