

Bourdon Tube Pressure Gauges

Snap-in Window

Accuracy Class 1.6 NCS 63 (2½")

Model **RE 63-1**

Applications

The bourdon tube pressure gauges model RE are suitable for measurement of positive and negative overpressure of liquid and gaseous media that do not corrode brass/copper alloys.

Nominal Case Size

63 (2½")

Accuracy Class (EN 837-1)

1.6 (i.e. accuracy error max. ± 1.6% of full scale value),
2.5 for pressure range 0-600 bar

Pressure Ranges (EN 837-1)

0-0.6 bar to 0-600 bar
also vacuum and compound ranges

Pressure Limitations

Steady pressure: max. 75% of full scale value
Cyclic pressure: max. 65% of full scale value
Overpressure: full scale value

Temperature Resistance

Ambient temperature: -40 / +60 °C (-40 / +140 °F)
Medium temperature: max. +60 °C (+140 °F)

Further information on advantages, application, temperature resistance, metrological features and pressure ranges, as well as an overview of all available models of Bourdon tube pressure gauges class 1.0 and 1.6 can be found in our model overview **1000**.

Standard Configuration

Connection

G ¼ B (¼" BSP) bottom or center back connection (**rm**) brass

Bourdon Tube

Bronze, soft soldered,
up to 40 bar in C-form, 60 bar and up helical

Movement

Brass

Dial

Aluminum alloy, black figures, white background

Pointer

Aluminum alloy black

Case

Carbon steel black

Window

Snap-in polycarbonate lens

Optional Special Configurations

- Front flange carbon steel black
- Others upon request (for higher quantities only)



How to Order:

Simply state the ordering number as follows. Pressure gauges with ordering number beginning with L- are usually available from stock (without obligation). Pressure gauges without L- at the beginning of the ordering number are only available in minimum ordering quantities of 5 pieces and up.

Pressure range bar	Bottom connection Ordering number:	Center back connection (rm) Ordering number:
-0,6 - 0	501001	501101
-1 - 0	L-501002	L-501102
-1 - 0,6	L-501003	501103
-1 / +1,5	L-501004	501104
-1 / +3	L-501005	501105
-1 / +5	L-501006	501106
-1 / +9	501007	501107
-1 / +15	501008	501108
0 - 0,6	L-501009	L-501109
0 - 1	L-501010	L-501110
0 - 1,6	L-501011	L-501111
0 - 2,5	L-501012	L-501112
0 - 4	L-501013	L-501113
0 - 6	L-501014	L-501114
0 - 10	L-501015	L-501115
0 - 16	L-501016	L-501116
0 - 25	L-501017	L-501117
0 - 40	L-501018	L-501118
0 - 60	L-501019	L-501119
0 - 100	L-501020	L-501120
0 - 160	L-501021	L-501121
0 - 250	L-501022	L-501122
0 - 400	L-501023	L-501123
0 - 600	501024	501124

Pressure gauges with center back connection (L-5011..) can be ordered optionally with chrome plated front flange (**Fr**),

Ordering Examples: 20 x L-501120-Fr

To avoid mistakes it will be helpful to give a short description of the instrument (model, nom. size, case configuration, pressure range), especially for special versions resp. instruments not available from stock:

Model: **RE 63**
 Wetted parts: **-1=** brass/bronze
 Pressure range: e.g. **0-10 bar**
 Process connection: **G ¼ B**
 Case configuration: without code letter = bottom connection
 (see reverse side) **rm** = center back connection
rmFr = center back connection, front mounting flange
 Options: e.g. front flange carbon steel black
Example: RE 63-1 rm, 0-10 bar, G ¼ B, L-501115



ARMATURENBAU GmbH
 Manometerstraße 5 • D-46487 Wesel - Ginderich
 Phone: +49 (0) 2803/9130-0 • Fax: +49 (0) 2803/1035
 armaturenbau.com • mail@armaturenbau.com

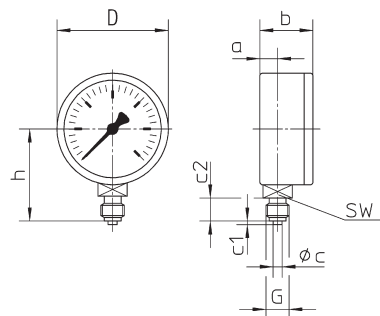


Subsidiary Company, Sales and Export East

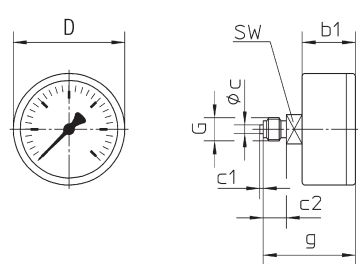
MANOTHERM Beierfeld GmbH 1110
 Am Gewerbepark 9 • D-08344 Grünhain-Beierfeld
 Phone: +49 (0) 37 74/58-0 • Fax: +49 (0) 3774/58-545
 manotherm.com • mail@manotherm.com **03/06**

Case Configurations, Code Letters, Dimensional Data and Weight

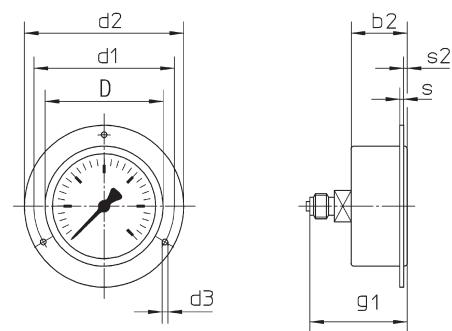
Bottom connection,
without code letter to add



Center back connection,
code letters: **rm**



Center back connection,
front flange for surface mounting,
code letters: **rmFr**



Dimensions (mm / inches) and Weight (kg / lb)

Nom. Case Size (NCS)	a ± .5	b ±0.5	b1 ± .5	b2 ± .5	c	c1	c2	D	d1	d2	d3	g ± .5	g1	G	h ± 1	s	s2	SW	Weight (approx.)
63 2½	10.5 .41	30 1.18	31 1.22	32 1.26	5 .2	2 .08	13 .51	62 2.44	75 2.95	85 3.35	3.6 .14	52 2.05	53 2.09	G ¼ B ¼" BSP	52.5 2.07	2 .08	1.5 .06	14 .55	.130 kg .30 lb

The information in this leaflet is given in good faith, but we reserve the right to make changes without notice.