

Bourdon Tube Pressure Gauges

**Stainless Steel Case, Crimped-on Ring,
Glycerine Filled**

Accuracy Class 1.6

NCS 63 (2½")

Model **RgG**

Application

For fluid and gaseous media (non-corrosive to brass and bronze), which are not highly viscous and do not tend to polymerize

Nominal Case Size

63 (2½")

Accuracy Class (EN 837-1)

1.6 (i.e. accuracy error max. $\pm 1.6\%$ of full scale value)

Pressure Ranges (EN 837-1)

0-1 to 0-600 bar ¹⁾

also vacuum and compound ranges

Pressure Limitations

Steady pressure: 75% of full scale value

Cyclic pressure: 65% of full scale value

Temporary: full scale value

Temperature Resistance

Ambient temperature: -20 to +60 °C (-4 / +140 °F)

Medium temperature: max. +60 °C (+140 °F)

Protection Type (EN 60 529 /IEC 529)

IP 65

Further information on advantages, application, temperature resistance, metrological features and pressure ranges, as well as an overview of all available models of Bourdon tube pressure gauges class 1.0 and 1.6 can be found in our model overview **1000**.

Standard Configuration

Process Connection

G ¼ B (¼" BSP) bottom connection brass

Bourdon Tube

- up to 40 bar = bronze, C-form, soft soldered
- 60 bar and up = bronze, helical, silver brazed

Movement

Brass / German silver

Dial

Aluminum alloy, black figures, white background

Pointer

Aluminum alloy black

Case with Crimped-on Ring

Stainless steel

Filling Liquid

Glycerine

Window

Polycarbonate

Optional Special Configurations

- Other process connections (G 1/8 B resp. 1/8 BSP , 1/8" NPT, 1/4" NPT), minimum order quantity 10 pieces
- Front flange for versions with centre back connection
- U-clamp for versions with centre back connection

¹⁾ Pressure ranges -1/0 and 0/4 to 0/600 bar are available from stock (without obligation). For all the other pressure ranges a **minimum order quantity of 10 pieces** and the actual delivery time has to be considered.



How to Order:

For instruments available from stock¹⁾ a statement of the stock ordering number is sufficient:

Pressure ranges bar	Bottom connection	Centre back connection
	Ordering number (stock):	
-1-0	L-631002	L-631102
-1/+3	L-631005	
0-4	L-631013	L-631113
0-6	L-631014	L-631114
0-10	L-631015	L-631115
0-16	L-631016	L-631116
0-25	L-631017	L-631117
0-40	L-631018	L-631118
0-60	L-631019	L-631119
0-100	L-631020	L-631120
0-160	L-631021	L-631121
0-250	L-631022	L-631122
0-400	L-631023	L-631123
0-600	L-631024	L-631124

Pressure gauges with centre back connection (L-6311..) can be ordered optionally with front flange (**Fr**) or U-clamp (**BFr**).

Ordering Examples: 35 x L-631022
20 x L-631102, **Fr**

For special versions or pressure ranges which are not available from stock¹⁾ please order as follows:

Model, nom. size, ordering

no. for wetted partes: **RgG 63-1**

Code letters for

case configuration:

(see reverse side)

rm, rmFr, rmBFr

(Standard = bottom connection, without additional code letter)

Pressure range:

e.g. -1-0 bar, 0-6 bar or 0-160 bar

Options:

see left, e.g. ¼" NPT connection
(Consider minimum ordering quantity!)

Examples for Ordering Information:

- 50 x RgG 63-1, 0-2.5 bar¹⁾
- 50 x RgG 63-1 rmFr, 0-160 bar, ¼" NPT ¹⁾



ARMATURENBAU GmbH
Manometerstraße 5 • D-46487 Wesel - Ginderich
Phone: +49 (0) 2803/9130-0 • Fax: +49 (0) 2803/1035
armaturenbau.com • mail@armaturenbau.com



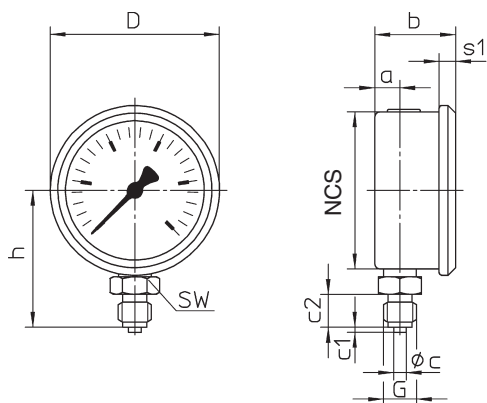
Subsidiary Company, Sales and Export East

MANOTHERM Beierfeld GmbH
Am Gewerbehark 9 • D-08344 Grünhain-Beierfeld
Phone: +49 (0) 3774/58-0 • Fax: +49 (0) 3774/58-545
manotherm.com • mail@manotherm.com

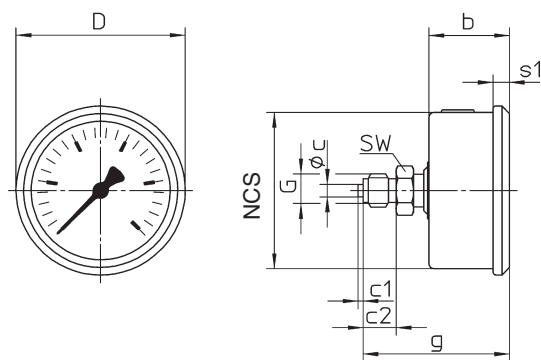
1112
3/06

Case Configurations, Code Letters, Dimensional Data and Weight

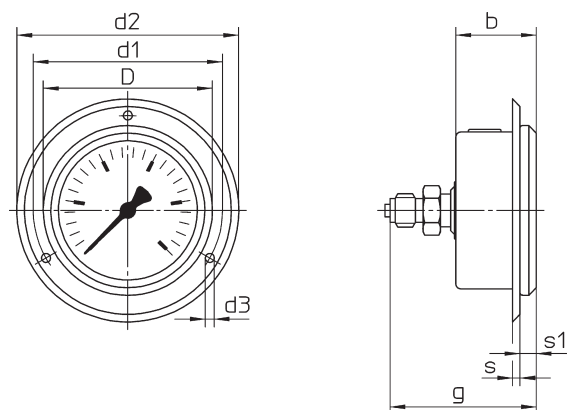
Bottom connection,
without code letter to add



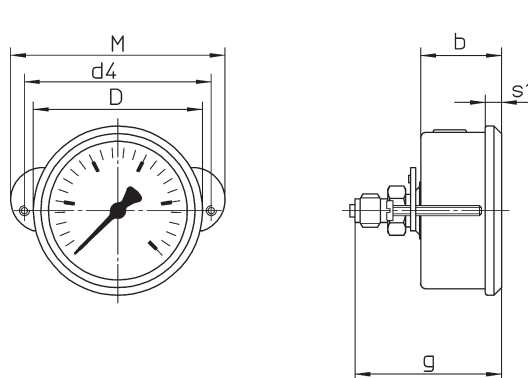
Centre back connection,
code letters: **rm**



Centre back connection,
front flange,
code letters: **rmFr**



Centre back connection,
U-clamp for panel mounting,
code letters: **rmBFr**



Dimensional Data (mm / inches) and Weight (kg / lb)

Nom. Size	a	b	c	c1	c2	d1	d2	d3	d4	D	G	g	h ±1	M	s	s1	SW	Weight (approx.)
63 2½"	10 .39	32 1.26	5 .2	2 .08	13 .51	75 2.95	88 3.46	3.6 .14	74 2.91	67 2.64	G ¼ B ¼" BSP	58 2.28	54 2.13	85 3.35	3 .12	6.5 .26	17 .67	.25 .55

The information in this leaflet is given in good faith, but we reserve the right to make changes without notice.