



OUR INTEGRATION — YOUR SUCCESS ARPAC LLC

9555 W. Irving Park Road

Schiller Park, IL 60176

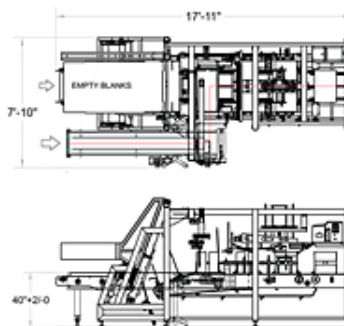
Phone: 847-678-9034 • Fax: 847-671-7006

Email: info@arpac.com

Item # PC-2000, Performance-Series™ PC-2000 Intermittent Motion Wraparound Case Packer

The Performance-Series™ PC-2000 is a member of ARPAC's line of high performance case/tray packers. The PC-2000 is an intermittent motion wraparound case/tray packer capable of reaching speeds of up to 20 cases/trays per minute.

The PC-2000 uses up to 20% less corrugated material as compared to regular slotted cases (RSC's) resulting in significant annual material savings.



ADDITIONAL INFORMATION

This rugged machine reduces labor, increases productivity, reduces packaging costs and integrates easily into new or existing packaging lines.

The Performance-Series™ works well with many tapes of packages. The system collates the products, loads the corrugated cases or trays and closes them with hot-melt glue.