

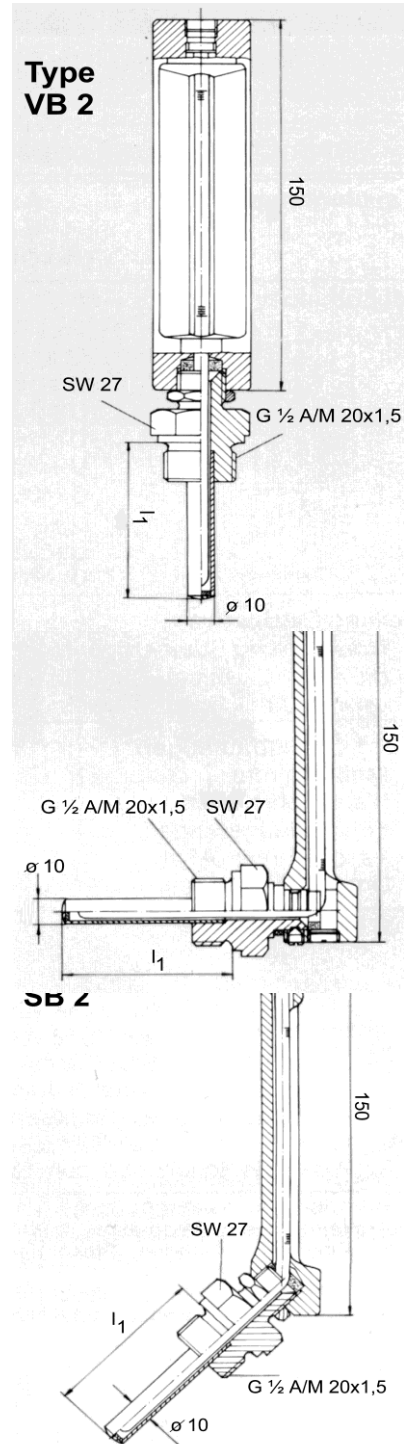
## Upper part 150x36 mm - anodised in brass-colour

DIN 16 185 B  
DIN 16 186 S

<b>Order example</b>	<b>VB</b>	<b>2</b>	<b>35</b>	<b>1</b>	<b>1</b>	<b>063</b>	<b>2</b>	<b>1</b>
<b>Thermometer version</b>								
straight	<b>VB</b>							
angle 90°	<b>HB</b>							
angle 135°	<b>SB</b>							
<b>Immersion tube type</b>								
		<b>2</b>						
<b>Measuring ranges</b>								
	-30 + 50°C		<b>=35</b>					
	0 + 60°C		<b>=06</b>					
	0 + 100°C		<b>=10</b>					
	0 + 120°C		<b>=12</b>					
	0 + 160°C		<b>=16</b>					
	0 + 200°C		<b>=20</b>					
	0 + 250°C		<b>=25</b>					
<b>Division</b>								
	Celsius (°C)			<b>1</b>				
	Celsius + Fahrenheit (°C + F)			<b>2</b>				
<b>Thermometrical liquid filling</b>								
	blue filling					<b>Fü=1</b>		
<b>Immersion tube installation length</b> measure l1 in mm								
						63 = <b>063</b>		
						100 = <b>100</b>		
						160 = <b>160</b>		
						250 = <b>250</b>		
<b>Thread</b>								
						G 1/2 A / SW 27	<b>2</b>	
						M 20x1.5 / SW 27	<b>7</b>	
<b>Immersion tube materials:</b>								
	brass (hexagon Ms 58/tube SoMs 76 or Ms 63), brazed, resp. to immersion tube length l <sub>1</sub> =63, G½A made of Ms 58 solid possible at our own choice.						<b>1</b>	
	Steel (hexagon 9SMnPb28K/tube St 35, welded)						<b>2</b>	
	Steel 1.4571 (hexagon and tube)						<b>3</b>	
	Special brass (hexagon SoMs59/ tube SoMs 76)						<b>4</b>	
	CuNi30Fe (hexagon and tube)						<b>5</b>	

The immersion tube is connected by a groove connection to the upper part at all angular thermometers <90°. This connection is secured by a hardened retaining screw.

Advantage: Simple installation; immersion tube and upper part can be installed separately. No turning of the upper part required for installation.



Sales and Export South, West, North  
**ARMATURENBAU GmbH**  
Manometerstraße 5 • D-46487 Wesel - Ginderich  
Tel.: +49 (0) 28 03 / 91 30-0 • Fax: +49 (0) 28 03 / 10 35  
armaturenbau.com • mail@armaturenbau.com



Subsidiary Company, Sales and Export East  
**MANOTHERM Beierfeld GmbH**  
Am Gewerbepark 9 • D-08344 Grünhain-Beierfeld  
Tel.: +49 (0) 37 74 / 58-0 • Fax: +49 (0) 37 74 / 58-545  
manotherm.com • mail@manotherm.com

