

Power Supply Unit

- not intrinsically safe-

MSR-000

Application

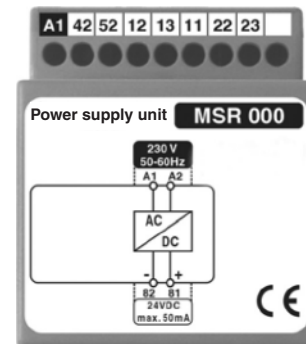
Power supply units model MSR 000 have been developed for the power supply of pressure transmitters, LED displays etc. The voltage output is separated galvanically from the mains.

They can be applied in fields for which ex-certified cost-intensive power supplies are not required.

Regulations

Power supply units meet the following requirements:

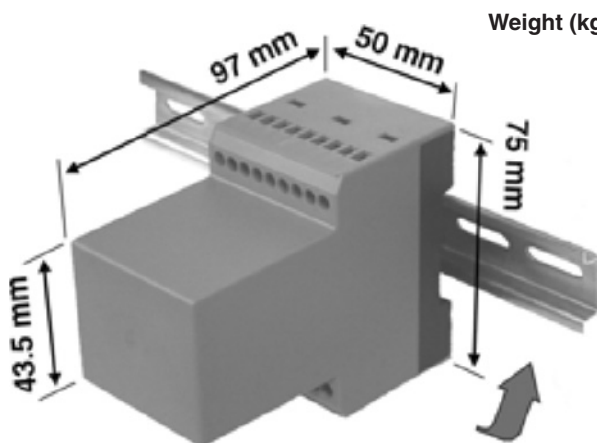
- EN 50178 - Electrical safety
- EN 61000-6-2 - Stability
- EN 61000-6-3 - Interference emission
- EN 60947-5-1 - Low voltage switchgears



Standard Versions

	Terminals	
Auxiliary energy Rated voltage U _e	A1-A2	230 V AC 50-60 Hz +6...-10 % resp. available with voltage 115 V AC 50-60 Hz +6...-10 %
Power consumption		typ. 5 VA
Voltage output Output power Residual ripple for U _N and I _N Protection circuitry max. short circuit current	82(-), 81(+)	24 V DC ± 10 % I _{max} .50 mA < 50 mVpp 10 Ohm safety resistance conditionally short circuit proof
Application field Rated insulation voltage Overvoltage category Pollution degree Protection type Temperature range Case material	EN 50 178 EN 60 529	250 V AC III 2 IP 20 0...70 °C polyamide 6.6, colour red / black
Mounting		35 mm standard mounting bar according to DIN 50 022

Drawing



Weight (kg): approx. 0.220 kg

Technical changes, replacement of materials and errors excepted.



Sales and Export South, West, North
ARMATURENBAU GmbH
 Manometerstraße 5 • D-46487 Wesel - Ginderich
 Tel.: +49 (0)28 03/91 30-0 • Fax: +49 (0)28 03/10 35
 armaturenbau.com • mail@armaturenbau.com

Subsidiary Company, Sales and Export East
MANOTHERM Beierfeld GmbH
 Am Gewerbepark 9 • D-08344 Grünhain-Beierfeld
 Tel.: +49 (0)37 74/58-0 • Fax: +49 (0)37 74/58-545
 manotherm.com • mail@manotherm.com

9981
03/11