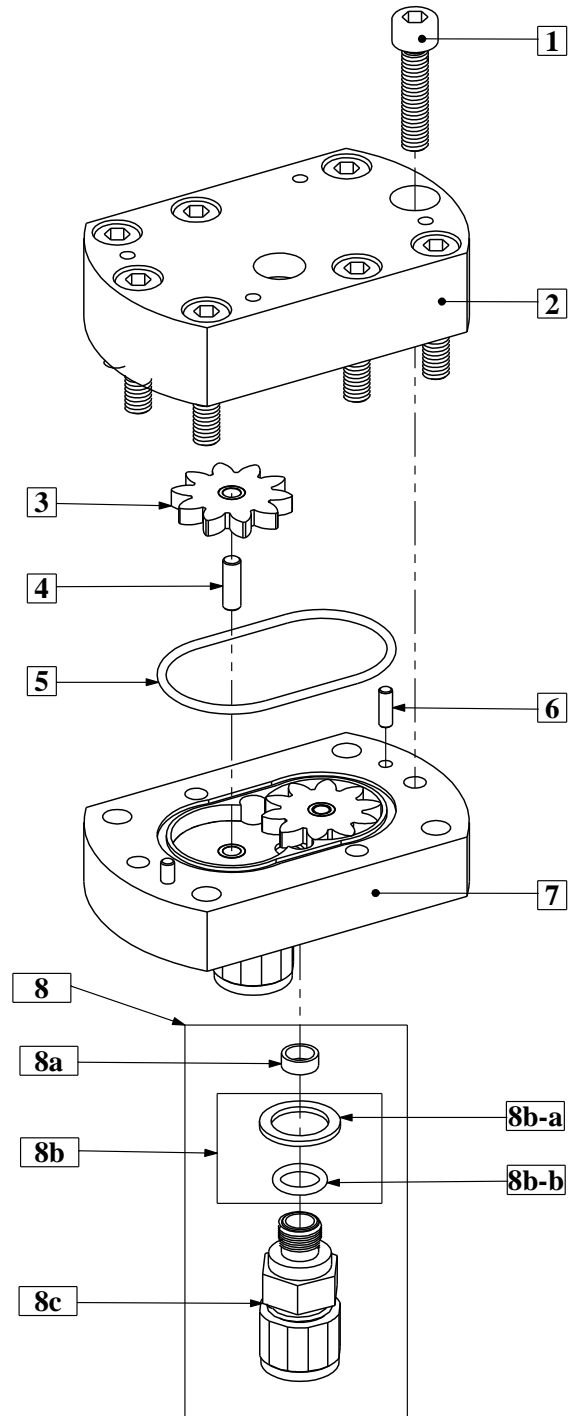


# MAINTENANCE GUIDE FOR THE JVS-10SLGS, JVS-15SLGS & JVS-20SLGS

\* Cleaning, inspecting and/or replacing parts can be done by following the procedure below.\*

**Read the entire procedure before taking apart the meter. Be careful when handling parts!**

- 1) Remove the 8 hex bolts (1) with a 5mm hex key.
  - a. Reinsert 2 of the bolts you just removed, the 2 on opposite ends work best, so that they are only holding by a few threads. While holding the upper housing firmly, tap the 2 bolts to separate the upper and lower housings (2 & 7). Do not pry or twist the housings to separate them, as this may damage internal parts of the meter.
- 2) Once the housings are separated:
  - a. Remove the gears (3) and shafts (4). Lift the gears straight up off of the shafts to avoid damaging the shafts.
  - b. Remove the o-ring (5).
  - c. Clean the gears, shafts, meter bodies, o-ring groove and shaft holes using solvent and a small brush.
  - d. Inspect the gears and shafts. The gears should spin freely on the shafts.
- 3) To reassemble the meter:
  - a. Replace the old o-ring if it is PTFE and replace it with a new one.
  - b. Reinsert the shafts into the shaft holes and reinsert the gears as well. Make sure the gears are spinning freely.
  - c. Keep the meter housings as parallel as possible during reassembly. Line up the index marks which are located on either end of the upper and lower housings.
  - d. Replace the 8 hex bolts (1) that were removed last and tighten them to approximately 15Nm (this is hand tight). Do not force the housings together as you could damage the meter. Tighten the bolts a few turns at a time, switching to another to gently secure the housing together. Over tightening will not damage the meter but the bolts can break if tightened too much.
- 4) After reassembly make sure the gears spin freely by gently blowing air into the inlet. You should be able to hear the gears spin given a moderate background noise level.



# CROSS REFERENCE GUIDE FOR JVS-10SLGS, JVS-15SLGS & JVS-20SLGS SERIES SPARE PARTS

| Part - Qty. per meter<br>[Drawing Ref. #] | JVS-10SLGS                               | JVS-15SLGS                           | JVS-20SLGS                  |
|---|--|--------------------------------------|-----------------------------|
| Upper Housing - 1<br>[1]                  | Not Field Replaceable                    |                                      |                             |
| Lower Housing - 1<br>[7]                  | Not Field Replaceable                    |                                      |                             |
| Gears - 2<br>[3]                          | AG10010<br>GR-10CG Gear                  | AG15010<br>GR-15CG Gear              | AG20010<br>GR-20CG Gear     |
| Shafts - 2<br>[4]                         | AG15052<br>ST-15SLGFS Shaft              |                                      | AG15055<br>ST-20SLGFS Shaft |
| PTFE O-Ring - 1<br>[5]                    | AG15035<br>COT-10SLG                     | AG15050<br>COT-15-SLGS Teflon O-Ring |                             |
| Locating Pins - 2<br>[6]                  | AG15030<br>LP-CG Locating Pin            |                                      |                             |
| Hex Bolts - 8<br>[1]                      | AG15070<br>M6 x 1.0 x 25mm               |                                      | AG15060<br>M6 x 1.0 x 30mm  |
| Adapter Assembly - 2<br>[8]               | BC80009<br>SLG-ALY Adapter Assembly      |                                      |                             |
| Space Filler - 2<br>[8a]                  | BZ34020<br>TSF-SLG Teflon Space Filler   |                                      |                             |
| Washer/Seal Assembly - 2<br>[8b]          | BZ15010<br>WAL-SLG Washer with Seal      |                                      |                             |
| Washer - 2<br>[8b-a]                      | ME20015<br>HPMS709A Washer for HPM-15SLG |                                      |                             |
| Seal - 2<br>[8b-b]                        | B090010<br>012-EPR-70 SLG-Seal           |                                      |                             |
| Fitting - 2<br>[8c]                       | BC80011<br>BSP-SLG Modified Fitting      |                                      |                             |

Table Format: 

|                         |
|-------------------------|
| AG15010<br>GR-15CG Gear |
|-------------------------|

 ← AW Part #  
← AW Part Description

