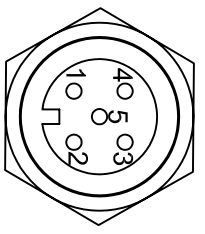
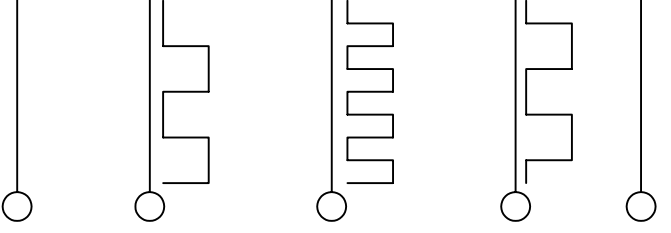
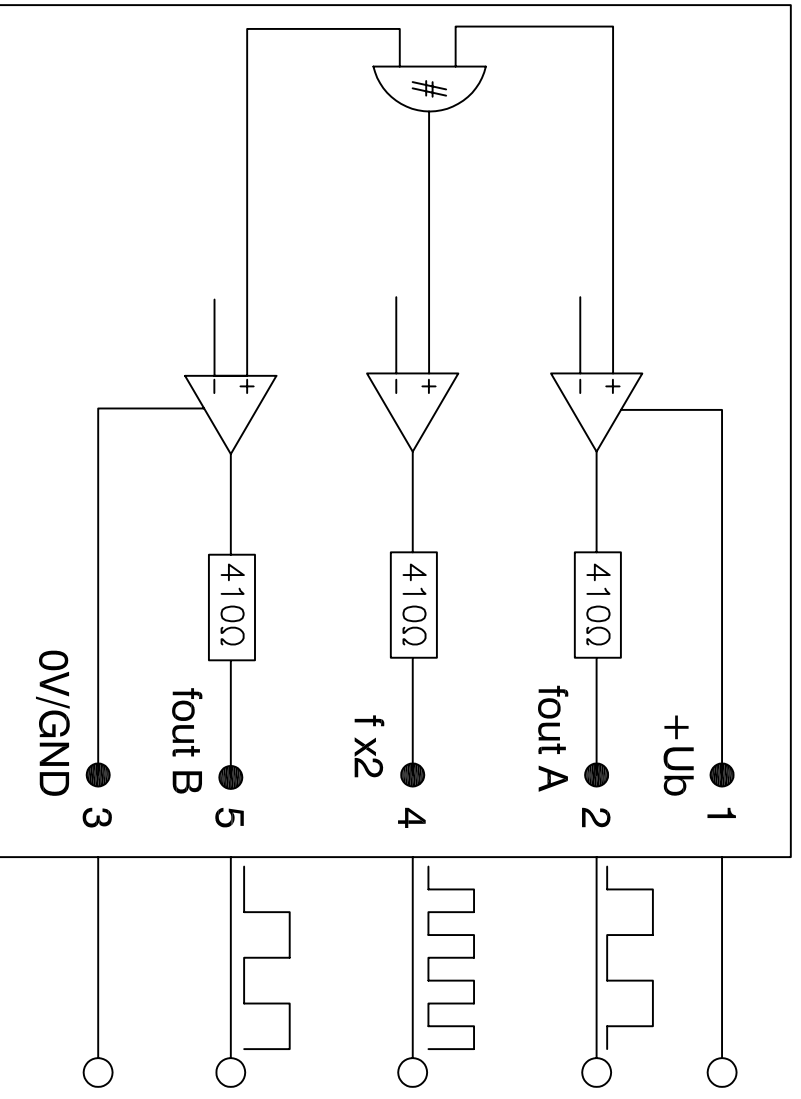
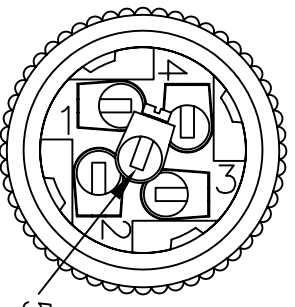


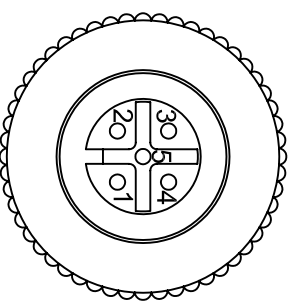
SRZ-40 STAT HELICAL FLOWMETER WITH DUAL INTEGRAL SENSOR



- 1 = +Ub (12 TO 30 VDC)
- 2 = FREQ. A OUT (1X)
- 3 = 0V
- 4 = FREQ. A+B OUT (2X)
- 5 = FREQ. B OUT (1X)



MATING CONNECTOR REAR VIEW



MATING CONNECTOR FRONT VIEW

B	ADDED WAVEFORMS & OUTLINE BDX	04-30-09	FJ
A	INITIAL RELEASE	09-12-07	FJ
REV.	DESCRIPTION OF CHANGE	DATE	BY

AW COMPANY USE ONLY

THIS PRINT, INCLUDING THE INFORMATION CONTAINED IN IT, IS THE PROPERTY OF AW COMPANY. IT IS CONSIDERED PROPRIETARY IN NATURE AND MAY NOT BE USED OR DISCLOSED OUTSIDE OF AW COMPANY, EXCEPT UNDER PRIOR WRITTEN AGREEMENT. ANY MODIFICATIONS MADE TO OR COMMENTS WRITTEN ON THIS DRAWING BY UNAUTHORIZED PERSONNEL WILL VOID THIS DRAWING. ALL DIMENSIONS SHOWN ARE SUBJECT TO CHANGE WITHOUT NOTICE.

AW-LAKE COMPANY
A TASI GROUP COMPANY

8809 INDUSTRIAL DRIVE
FRANKSVILLE, WI 53126
TEL. # (262) 884-9800
FAX. # (262) 884-9810

TITLE: SRZ-40STAT W/DUAL SENSOR

DRAWING NUMBER: SRZ40A900A PART NUMBER: BD00056

DATE: 09-12-07 REV: A DRAWN BY: FRED JACOBSON

CHECKED BY: F.J. PAGE: 1 OF 1 SCALE: NONE