



LITRE METER
Specialist flow measurement engineering

FlowPod

The FlowPod is Litre Meter's latest flow indication display unit. Utilising state-of-the-art technology; the FlowPod comes in a compact and light weight flame proof Stainless Steel enclosure that is only 85mm in diameter and weighs in at only 1.5kg. The FlowPod is one of the smallest flow displays for the Chemical injection industry on the market today.

The back-lit display (4-wire only) with high contrast ratio large flow rate indication and totalizer digits, enables the display to be easily read at distance in poorly lit conditions. The FlowPod comes equipped with Litre Meter – Memory Card input.

LM-MC has been developed by Litre Meter for 2-wire low powered systems. The LM-MC enables calibration data to be easily swapped without having to remove the FlowPod from the installation or having to perform difficult calibration curve changes on site. The LM-MC has data logging capabilities to enable recalibration to be tailored to flow rate of the meter as specified by the client.

The FlowPod can be controlled without having to power down, due to integrated magnetic switches that allows for simple programming and menu selection.

The flow meter can come with either direct mounted or remote mounted using suitable armoured signal cable or conduit.

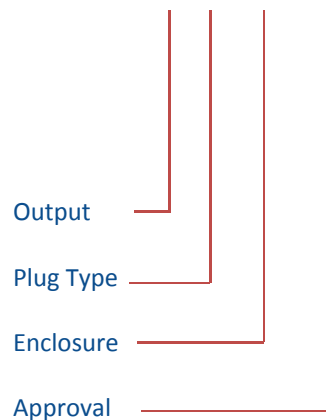
The standard specification consists of a HART 7 protocol output on a two or four wire 24 Vdc powered system.



Key Features

- Compact
- 2 or 4 wire
- 2 sensing options
- Tool-less assembly
- Rotatable through 360° display
- Low Maintenance
- Highly Durable
- LM memory card (LM-MC)
- Reduced size and weight
- Easy wiring
- Full programmable HART
- Stainless steel enclosure
- Exia
- Exd Class 1 Div 1
- IP66/IP68

FlowPod-H-RD-E1-2Exi



Output options:

H – 4-20mA HART 7 output of flowrate.

Plug Type options:

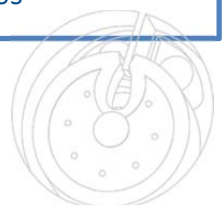
RD – Standard 316SS Exd blanking plug.

Enclosure options:

E1 -Bottom entry 3/4" NPT. Side entries 3/4" NPT.
E2 -Bottom entry 3/4" NPT. Side entries M20x1.5.
E3 -Bottom entry M20x1.5. Side entries M20x1.5.

Approval options:

2Exi – 2-Wire loop powered HART Exia. ATEX & IECEX
2Exd – 2-Wire loop powered HART Exd. ATEX, IECEX & CSA-US
4Exd – 4-Wire HART Exd. ATEX, IECEX & CSA-US





LITRE METER

Specialist flow measurement engineering

Technical Data



Key Features:

Exia- ATEX, IECEX
Exd- CSA(US): Class1 Div1 (B,C,D)
CSA(CAN): Class1 Div1 (B,C,D)
ATEX: Ex db IIC
IECEX: Ex db IIC
IP 66/IP68 dual certified

-20 to +75°C

2 or 4 wire 4-20mA HART 7 programming and monitoring

Compact lightweight 316 stainless steel housing

Rotatable through 360° for optimised viewing angle

2 sensing options - standard and hi-res - both with bidirectional sensing

Removable LM-MC storage card for data logging & offsite programming

Local programming

Resettable and non-resettable Totaliser

Batch control

Power: 12 – 30 Vdc (Exd)
12 – 30 Vdc (Exia)

Display Features:

Pulsing Input Indicator: This pulses at low flow, as a visual check of flow rate.

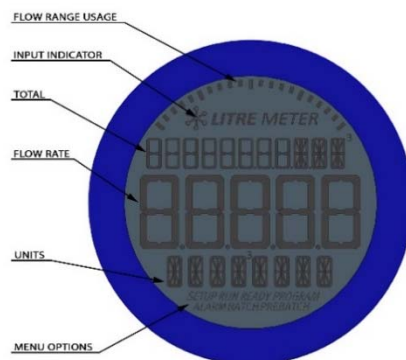
Total Digits: A total of 8 digits with the option to display: non resettable total, a resettable total and the resettable reverse flow total.

Rate Digits: The large 5 digits display the real time flowrate, the large digits and high contrast allows this to be easily read from a distance in poor light conditions.

Units: The option to display the flowrate and total in many different units, depending on your requirements.

Flow range usage: displays the flow rate in 20 steps - programmable.

Menu options: the simple local program option. To scroll through the menu options using a magnet and to make simple display changes or to reset the totals.



Litre Meter Ltd
Hart Hill Barn,
Granborough Road,
North Marston,
Buckinghamshire,
MK18 3RZ,
UK

Tel: +44 1296 670 200

Fax: +44 1296 670 999

Email: sales@litremeter.com

www.litremeter.com

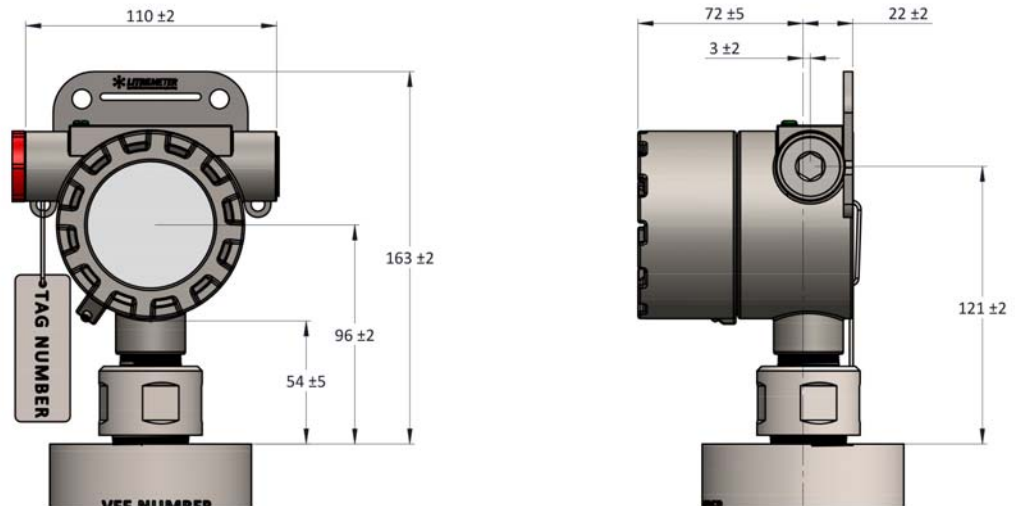


LITRE METER

Specialist flow measurement engineering

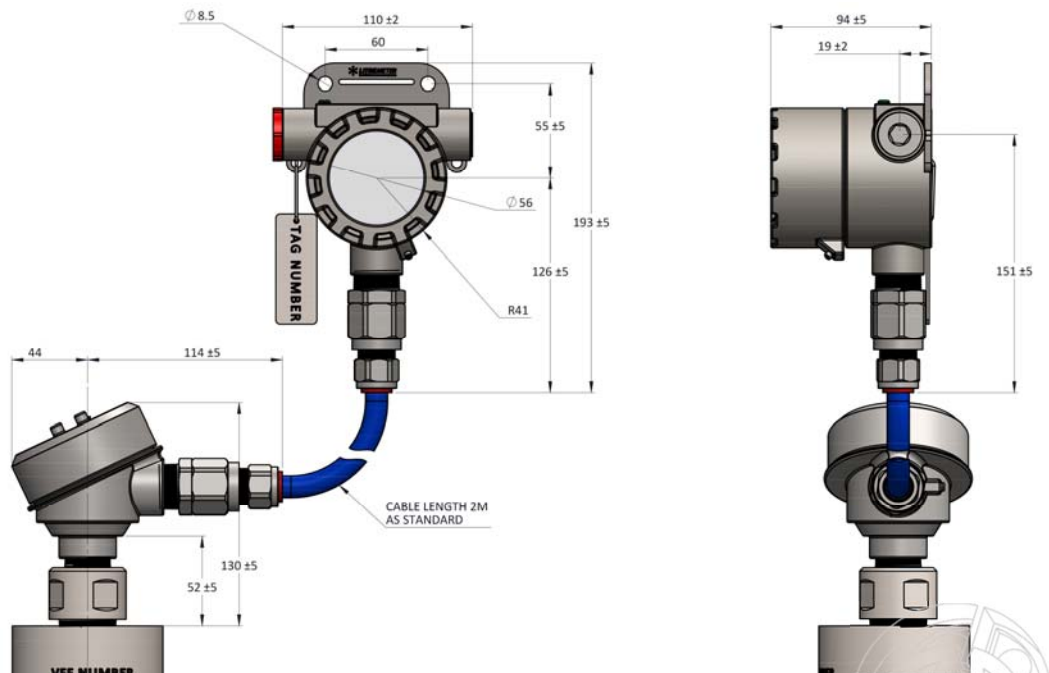
Dimensions

Direct Mount:



In mm

Remote Mount:



In mm

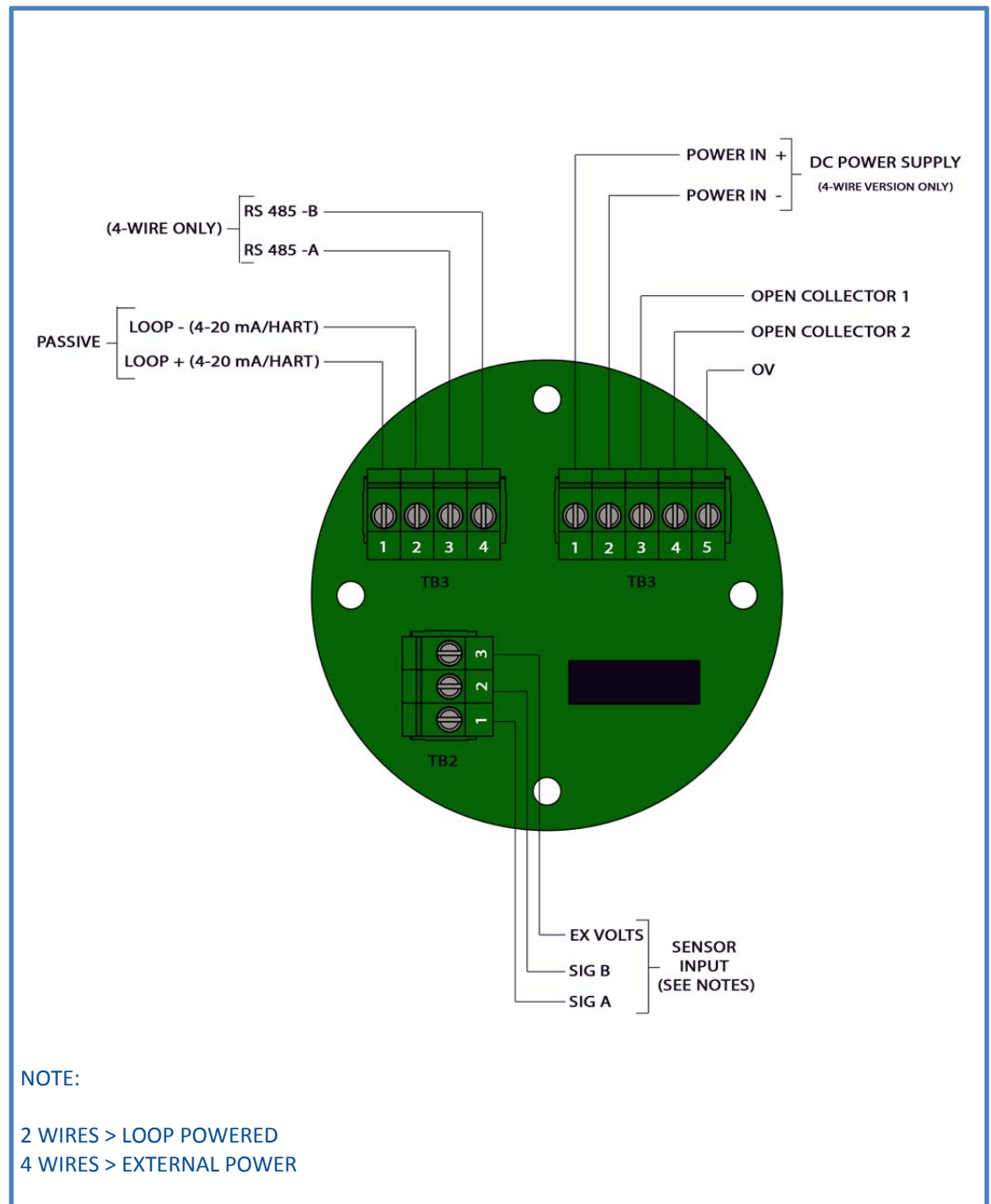
Litre Meter Ltd
Hart Hill Barn,
Granborough Road,
North Marston,
Buckinghamshire,
MK18 3RZ,
UK

Tel: +44 1296 670 200
Fax: +44 1296 670 999
Email: sales@litremeter.com
www.litremeter.com



LITRE METER
Specialist flow measurement engineering

Wiring



REV A3, 07/2015

Litre Meter Ltd
Hart Hill Barn,
Granborough Road,
North Marston,
Buckinghamshire,
MK18 3RZ,
UK

Tel: +44 1296 670 200
Fax: +44 1296 670 999
Email: sales@litremeter.com
www.litremeter.com