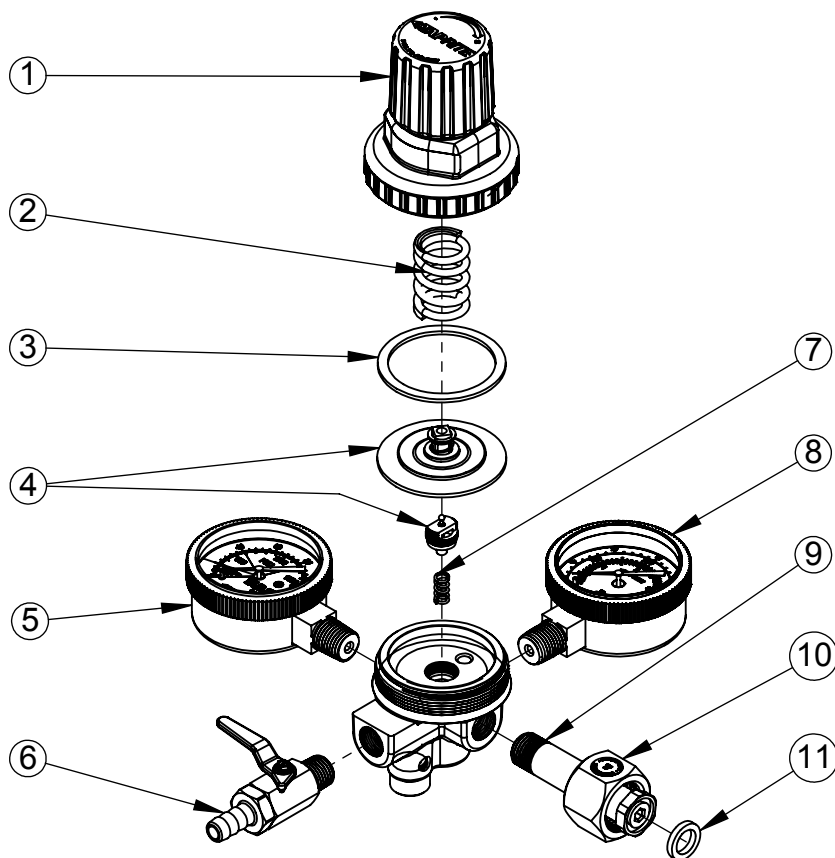


T742 REGULATOR ASSEMBLY

PARTS BREAKDOWN



<u>ITEM</u>	<u>PART NO</u>	<u>DESCRIPTION</u>
1.	740-602	-POLY BONNET ASSEMBLY, SILVER CAP
2.	***	-LOW PRESSURE DIAPHRAGM SPRING
3.	***	-DIAPHRAGM/BONNET GASKET
4.	7740-15	-DIAPHRAGM REPAIR KIT - 2" BALL/SOCKET TYPE DIAPHRAGM, CAPSULE, AND FLAT SEAL (ITEM 11)
5.	6603-2000	-2000 PSI TANK GAUGE, LEFT HAND THREAD
6.	1600C	-5/16" BARB, SHUT-OFF WITH BALL CHECK
7.	***	-CAPSULE SPRING
8.	624	-60 PSI GAUGE
9.	C740-12	-CO2 TANK NIPPLE WITH FLAT SEAL, LEFT HAND THREAD
10.	440-13UD	-CO2 TANK NUT
11.	440-17R	-FLAT SEAL FOR CO2 TANK FITTING

*** NOT NORMALLY REPLACED WHEN REPAIRING REGULATOR