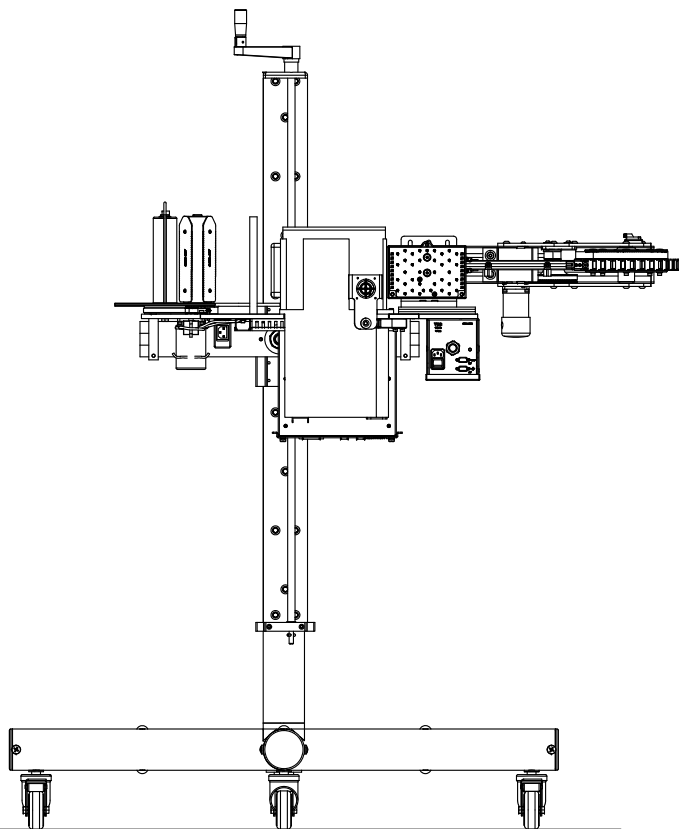
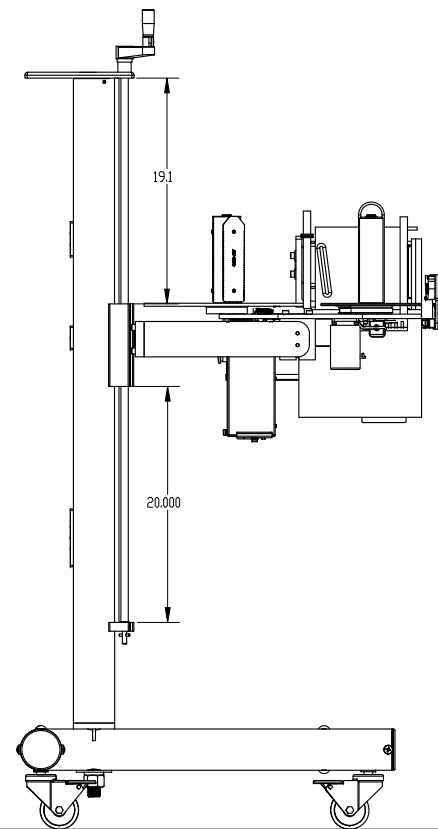


\*\*IGUS CHAIN NOT SHOWN IN THIS VIEW.



NOTES:  
 1. SCALE: 1:8  
 2. VIEWS ARE SHOWN WITH A 4X6 TAMP PAD.

<b>CONFIDENTIAL</b>		UNLESS OTHERWISE SPECIFIED FILE NAME DIMENSIONS ARE IN INCHES		PA6000_E-SERIES_WITH-STAND and E-F	
THIS DOCUMENT CONTAINS CONFIDENTIAL INFORMATION OF DIAGRAPH - AN ITW COMPANY AND IS NOT TO BE COPIED, USED OR DISCLOSED TO OTHERS WITHOUT THE EXPRESS WRITTEN CONSENT OF DIAGRAPH - AN ITW COMPANY.	TOLERANCES:	DRAWN	XX	XX	<b>Diagraph.</b> <b>An ITW Company</b> TITLE: PA6000 W/ 10" E-FASA SIDE APPLY SIZE DWG. NO. XX REV 0 SCALE: 1:8 SHEET 1 OF 1
	LINEAR: ± 0.005	CHECKED	XX	XX	
	HOLE DIAMETERS: ± 0.005	ENG APPR.	XX	XX	
	ANGULAR: ± 0.005	MFG APPR.	XX	XX	
MACHINE SURFACE: ± 0.005	QA				
	INTERPRET GEOMETRIC TOLERANCING PER:	COMMENTS			
	MATERIAL:				
NEXT ASSY:	MODEL:				
APPLICATION:	FINISH:				

PA6000\_E-SERIES\_WITH-STAND E-FASA