



A Powerful Leader in Image Transfer Technology for over 50 years.

ALLEN 40 / 25c Hot Foil Coder



40/25c Hot Foil Coder

The 40/25c hot foil coder is capable of reproducing a consistently high print quality on a range of substrates at high speeds. The unit is sustainable for printing expiration dates, product identification and lot/batch numbers. The 40/25c is ideal for use in many production environments including food, pharmaceutical and cosmetic industries as well as numerous industrial applications. The unit can be used as a standalone system or integrated into an existing production line with a variety of host equipment.

KEY FEATURES

- 38mm x 25mm print area
- Suitable for integration with labeling and packaging machines
- High speed
- Compact, reliable and robust
- Comprehensive range of type and typeholders

SPECIFICATIONS

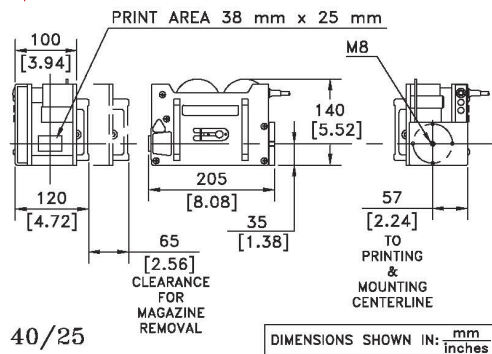
Print Area	38mm W x 25mm H
Performance Specifications	Up to 300 prints per minute

Functional Specifications

Ribbon (Foil) Run Out Warning	Standard
Print Temperature Switchable Range	266F (+130C) to 320F (+160C)
Dwell Time	0.03 – 0.50 seconds

Physical Specifications

Printhead Size	140mm W x 205mm H x 120mm D
Ribbon (Foil) Size	40MM X 153M (inside wound) 1½" x 500' (1" Conversion Kit available)
Minimum Air Supply	4 bar (60 psi)
Power Supply	110V AC or 220V AC
Printhead Weight	10 lbs (4.5kg)



Ph. 866-421-9898 | Fx. 618-997-1766
5307 Meadowland Parkway | Marion, IL 62959 | sales@diagraphmsp.com | www.itwnorwood.com