

Lumiglas VISULEX Camera Stainless Steel Type K15-Zoom

Data sheet 06.72

- **Camera with zoom lens, Type K15-Zoom:**

The zoom lens of this camera is operated remotely from the control room. The observer can consequently adjust the various technical settings to meet the specific requirements.

Particular advantages are offered by the 'LumiCam' system and control software which was developed for this purpose by Lumiglas VISULEX and is included in the scope of supply. The LumiCam software package (with Windows interface) provides the user – via PC or notebook – with the following functions for controlling the camera focused on the object of surveillance.

- **Precision adjustment of**

- Zoom
- Focus
- Aperture, shutter, gain
- Documentation aids such as date and time
- Presetting functions

- **Design and applications**

- Stainless steel housing with built-in colour CCD camera, 1/4" CCD sensor, 2 lux photosensitivity; including 2-wire transmitter, electronics, stainless steel hinge as mounting bracket
- Type of protection IP 65
- Operating conditions: Ambient temperature +5° C to +40° C

- **Zoom lens (standard version)**

- Minimum lens-to-object distance: 100 mm
- Focal length F = 4.2 to 42.0 mm
- Optical zoom 10 x
- Digital zoom 4 x extra
- Horizontal angle of view with 1/4": 4.6° to 46°

- **Electrical connection:**

- Link-up is established via transmission cable to the control unit (camera rack with camera module, to be ordered separately). A module is inserted into the camera rack for each camera. In addition to single racks, we also offer racks that take modules for up to 6 cameras.
- Voltage: 24 V DC (supplied by the control unit)
- Power rating: up to 25 W
- 2-wire transmission

- **Transmission cable:**

- 6-core cable (3 twisted pairs)
- Length up to about 500 m (between camera and control unit)
- Control lead 3 Px AWG 20C

- **Weight:** 1.1 kg excluding cable



Lumiglas VISULEX camera with zoom lens type K15-Zoom



K15-Zoom, mounted on a flange



Single-camera rack



6-camera rack

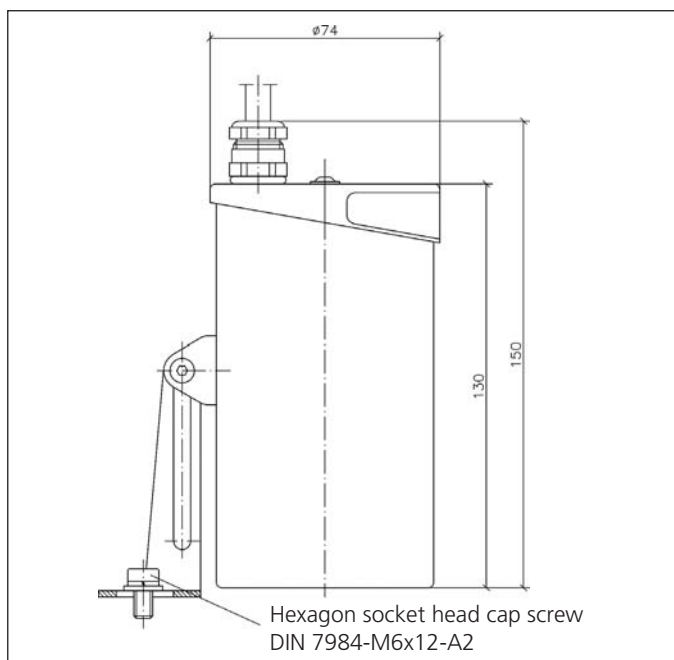
• **Installation:**

- The camera is mounted on the cover flange of a round sight glass fitting (DIN 28120 or similar) using the aluminium bracket included in the scope of supply. The installation method is the same as that implemented for internationally approved Lumiglas luminaires. If there is too little natural light in the vessel, an appropriately dimensioned additional Lumiglas luminaire can be mounted.

- A separate arrangement of lighting glass and camera glass is a further option to be considered. This depends on the engineering process and the size of the reactor as well as on the surface of the vessel, the medium in question, and the angle of incidence.
- Consistently uniform illumination is essential.

• **Dimensions and technical data for Lumiglas VISULEX camera K15-Zoom:**

Camera	PAL	NTSC
Camera standard	CCIR (Europe)	EIA (USA)
Image sensor	1/4"-CCD	1/4"-CCD
Pixels	approx. 440.000	approx. 380.000
Light sensitivity	2 lux	2 lux
Resolution	460 lines (horizontal)	470 lines (horizontal)
Electronic shutter speeds	automatic, 1/1-1/10.000	automatic, 1/1-1/10.000
S/N ratio	>50 dB	>50 dB
Aperture control	automatic or manual	automatic or manual
Colour system	PAL	NTSC
Control unit (rack and module)		
	single-camera rack	6-camera rack
Power input	max. 15 W	Base load 5 W; the consumption increases by 15 W per module (max. 95 W)
Fuse protection (due to starting current)	1,6 A	6,3 A
Dimensions mm (H x W x D)	160 x 180 x 300	160 x 470 x 300



• **Order info:**

- PAL (please specify whether PAL or NTSC)
 - 370 m transmission cable (please state length in full metres)
 - 6-camera rack, Part No. 1590.051.00 (see Table)
 - Camera module, Part No. 1123.008.00 (see Table)
- If supplementary cameras are to be added at a later date, we recommend the 6-camera rack.

Item	Article	Part No.
1	Single-camera rack	1590.032.00
2	6-camera rack	1590.051.00
3	Camera module	1123.008.00

Subject to change without prior notice – Dimensions in mm (unless stated otherwise)
Ric 04.08 3755.429