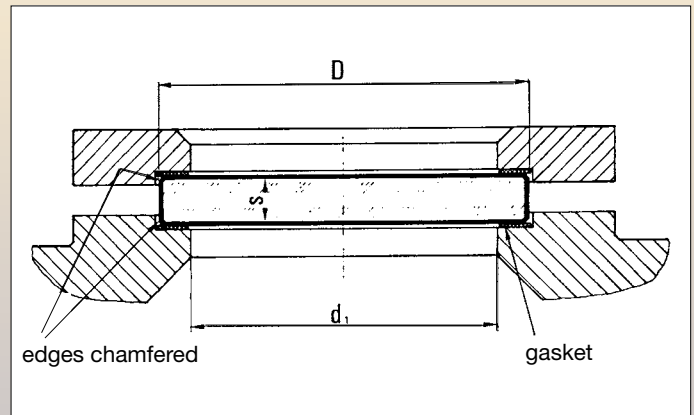


**Circular Sight Glass Disc To DIN 7080 (Borosilicate)
and DIN 8902 (Soda Lime)**

Dimensions D x s mm	Viewing Diameter d1 mm	Nominal Pressure bar
Borosilicate to DIN 7080 - up to 280°C (536°F)		
63 x 10	48	16
80 x 12	65	16
100 x 15	80	16
125 x 15	100	10
125 x 20	100	16
150 x 20	125	10
150 x 25	125	16
175 x 20	150	10
175 x 25	150	16
200 x 20	175	8
200 x 25	175	10
200 x 30	175	16
250 x 25	225	8
250 x 30	225	10
Soda Lime to DIN 8902 - up to 150°C (302°F)		
63 x 10	48	16
80 x 12	65	16
100 x 15	80	16
125 x 15	100	10
150 x 25	125	16
175 x 25	150	16
200 x 25	175	10
250 x 25	225	8
other dimensions on request		



For pressure duties, no low temp limit

Tempered borosilicate or soda lime glass, both sides ground and polished

All dimensions in mm unless stated otherwise
Subject to change without prior notice

ISO 9001 QA CERTIFICATE
GERMAN MANUFACTURER:
F.H. PAPPENMEIER AWARDED QA APPROVAL CERTIFICATE

