

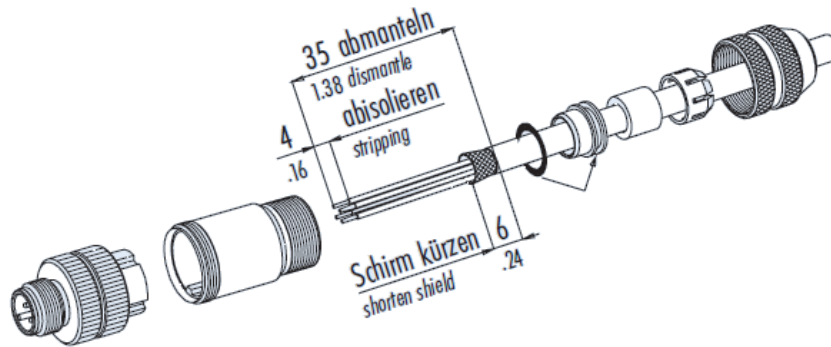
96554 CONNECTOR SET CAN, DeviceNet

Cable wiring, assembly and pin assignment

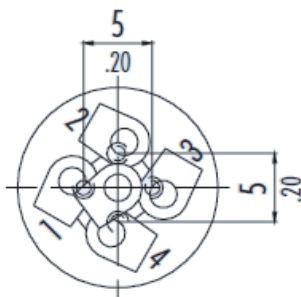


Anton Paar

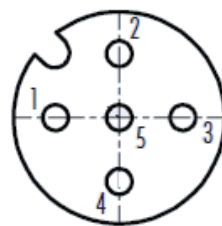
1. Strip measures male cable connector



2. Contact arrangements



5 pole male cable connector
(rear view)



- 1 brown
- 2 white
- 3 blue
- 4 black
- 5 grey

5 pole female socket with wires
(front view)

3. Pin assignment (standardized)

	CANopen
Pin 1	Shield
Pin 2	V + (not used)
Pin 3	V - (CAN_GND)
Pin 4	CAN_H
Pin 5	CAN_L

	DeviceNet
Pin 1	Shield
Pin 2	V + (24 V)
Pin 3	V - (GND)
Pin 4	CAN_H
Pin 5	CAN_L

4. Specifications

	Cable connector	Socket with wires
Termination	Screw connection	Wires
Wire gauge	max. 0.75 mm ² (AWG 20)	Wires 0.25 mm ² (AWG 24)
Degree of protection	IP 67	IP 68
Rated voltage	125 V	60 V
Temperature range	- 25 °C to + 85 °C	
Rated impuls voltage	1500 V	
Rated current (40 °C)	4 A	
Cable outlet	6 – 8 mm	-