

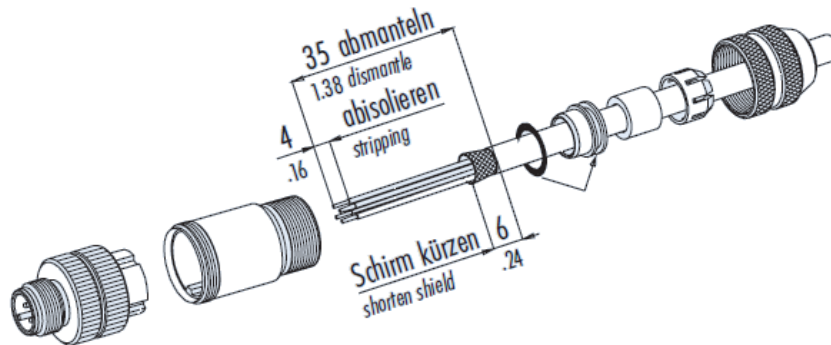
94633 CONNECTOR SET 4-POLE

Recommended cable wiring, assembly and pin assignment

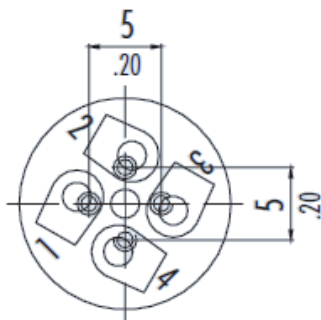


Anton Paar

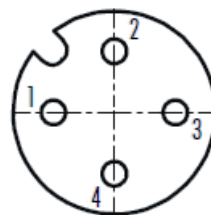
1. Strip measures male cable connector



2. Contact arrangements



4 pole male cable connector
(rear view)



4 pole female socket with wires
(front view)

- 1 brown
- 2 white
- 3 blue
- 4 black

3. Pin assignment

	Power supply	AO	DI/DO
Pin 1	DC 24 V +	AO1 +	DI
Pin 2	not used	AO1 -	DO
Pin 3	DC 24 V -	AO2 +	DIO +
Pin 4	not used	AO2 -	DIO GND

4. Specifications

	Cable connector	Socket with wires
Termination	Screw connection	Wires
Wire gauge	max. 0.75 mm ² (AWG 20)	Wires 0.25 mm ² (AWG 24)
Degree of protection	IP 67	IP 68
Temperature range	- 25 °C to + 85 °C	
Rated voltage	250 V	
Rated current (40 °C)	4 A	
Rated impuls voltage	2950 V	2500 V
Cable outlet	6 – 8 mm	-