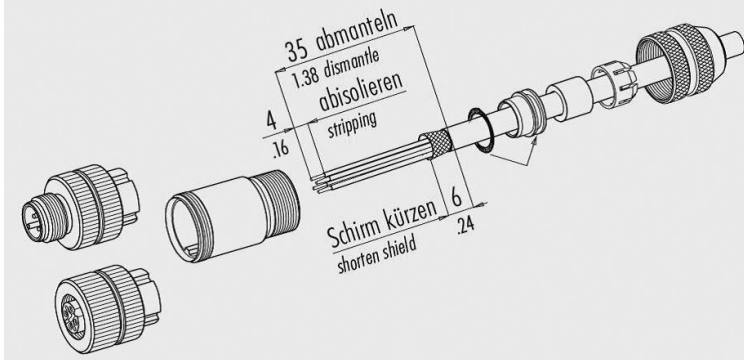
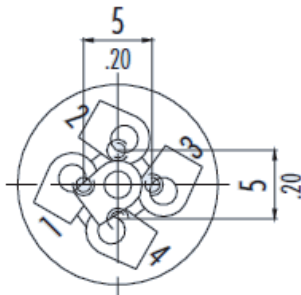


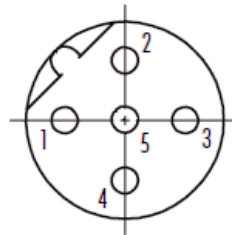
### 1. Strip measures male/female cable connector



### 2. Contact arrangements



5 pole cable connector  
(rear view)



5 pole female socket with wires  
(front view)

- 1 brown
- 2 white
- 3 blue
- 4 black
- 5 yellow/green

### 3. Pin assignment (standardized)

	PROFIBUS DP
Pin 1	Supply voltage of the terminating resistors
Pin 2	Data line A
Pin 3	Data transmission potential
Pin 4	Data line B
Pin 5	Shield (not used)

### 4. Specifications

	Cable connector	Socket with wires
Termination	Screw connection	Wires
Wire gauge	max. 0.75 mm <sup>2</sup> (AWG 20)	Wires 0.25 mm <sup>2</sup> (AWG 24)
Degree of protection	IP 67	IP 68
Rated voltage	125 V	60 V
Temperature range	- 25 °C to + 85 °C	
Rated impuls voltage	1500 V	
Rated current (40 °C)	4 A	
Cable outlet	6 – 8 mm	-