

Delta 9100



Delta 9100 High Performance Remote Recirculation System

The Lancer Delta 9100 CED Remote Recirculation system is a benchmark in the fountain dispensing market. Built to the quality standards that Lancer is known for, this compact unit utilizes cold carbonation and a stainless steel recirculating pump to provide optimum temperature product to a remote tower location. It is perfect for use with the Lancer Unicorn dispensing unit, or any tower with up to six valves.



Delta 9100 High Performance Remote Recirculation System

- > Cold carbonation
- > Stainless steel cabinet, tank and product lines
- > CFC free refrigerant
- > Zero GWP structural insulation
- > Lancer Electronic Ice Bank Control (EIBC)
- > Lancer Electronic Liquid Level Control (LLC)
- > Internal syrup pumps optional
(unit must be within 6 ft (2 m) of BIB location)
- > **Dispensing Solutions that *Pour More***

LANCER

lancercorp.com

Delta 9100 High Performance Remote Recirculation System

SPECIFICATIONS

DIMENSIONS

Height: (without legs) 25.875" (657 mm)
Width: 16.563" (421 mm)
Depth: 25.531" (674 mm)

WEIGHT

Empty: 156 lbs (70.8kg)
Operating: 220 lbs (98.8 kg)
Shipping: 170 lbs (77.1 kg)

ELECTRICAL

115V/60hz
230V/50hz

WATER REQUIREMENTS

Minimum flowing pressure of 25 PSIG
(1.76 kg/cm², 1.72 BAR)

Maximum static pressure of 50 PSIG
(3.52 kg/cm², 3.45 BAR)

ICE BANK WEIGHT

25-28 lbs (11.3kg - 12.7kg)

CARBON DIOXIDE (CO₂) REQUIREMENTS

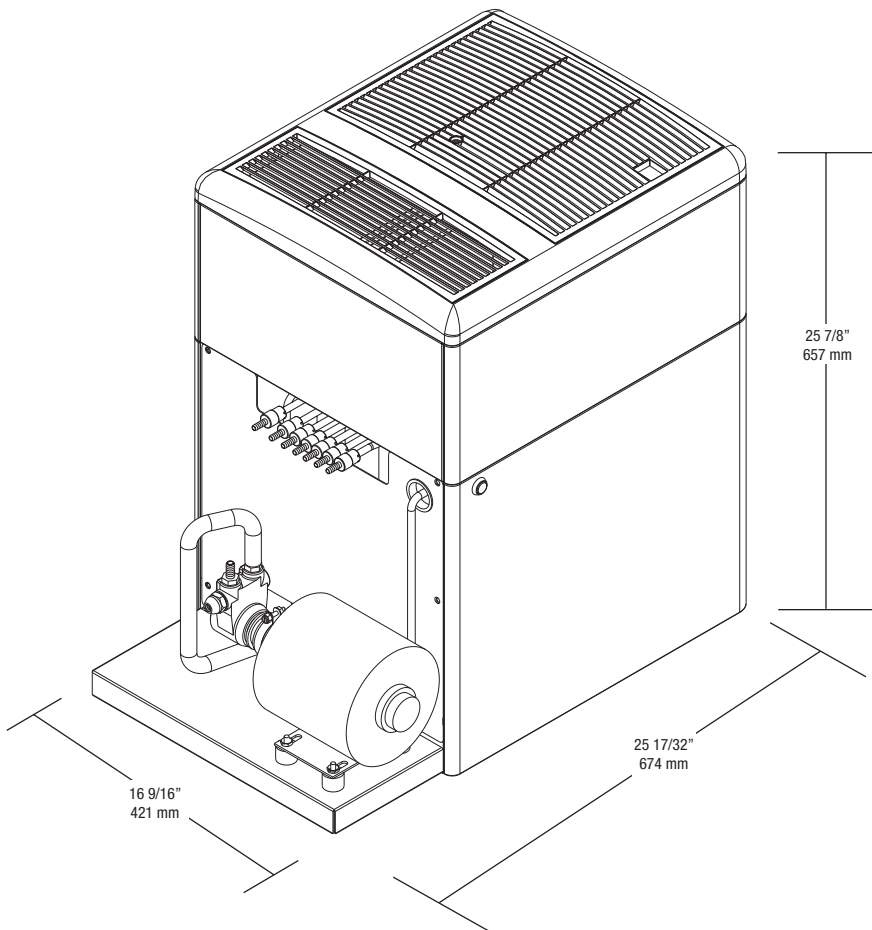
Minimum pressure of 70 PSIG
(4.92 kg/cm², 4.83 BAR)

Maximum pressure of 80 PSIG
(5.62 kg/cm², 5.52 BAR)

WARNING

If water source exceeds 50 PSIG (3.52 KG/CM²), a recommended water regulator assembly (PN 18-0253) must be used to limit water pressure to 50 PSIG (3.52 KG/CM²).

Failure to use regulator will result in improper performance of dispenser.



Customer Service:

Should you require more information about our products, please do not hesitate to contact our customer service desk at custserv@lancercorp.com.

Warranty:

For warranty specifics by product, contact your Lancer Sales Representative. Equipment design and/or specifications are subject to change without notice.

Lancer Corp. 6655 Lancer Boulevard · San Antonio, TX 78219
210-310-7000 · 1-800-729-1500 · Fax: 210-310-7250



Model
9100

Pour More

LANCER

lancercorp.com