

# LANCER®

## ICD 2300 High Performance Drop-In Dispenser



ICD 2306



ICD 2308

The ICD 2300 is designed using the highest quality materials and state-of-the-art technology providing our customers with consistent drink quality.

- Available with six or eight valves
- 316L stainless steel construction with sealed-in cold plate
- 3/4" drain with strainer to prevent ice blockage
- Stainless steel flooded soda manifold and multiple plain water configuration
- Ice bin insulated with CFC free structural foam
- Tower designed with removable splash plate and drip tray for easy cleaning



ETL CERTIFIED TO UL STD 471 AND CAN/  
CSA STD 22.2 NO. 120

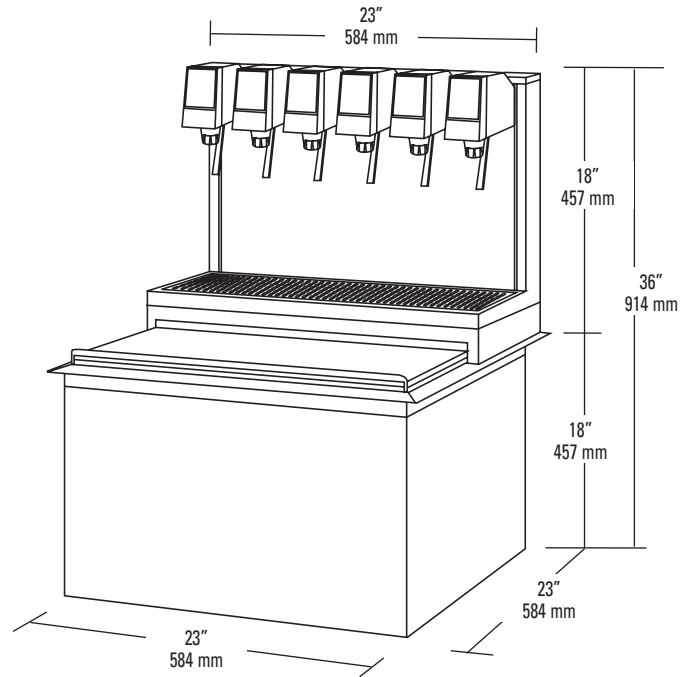


6655 Lancer Blvd • San Antonio, TX 78219  
210-310-7000 • 1-800-729-1500 • FAX 210-310-7250 • [www.lancercorp.com](http://www.lancercorp.com)



# ICD 2300 High Performance

## S P E C I F I C A T I O N S



### CONVERSION STAND 23" X 23"

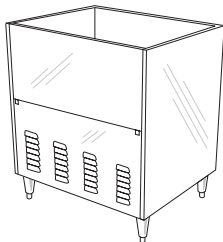
All stainless steel construction

Front access panel

6" (152 mm) adjustable legs

Allows quick and easy conversion from drop-in to free-standing unit

Shipping weight : 80lbs (36.28kg)



#### DIMENSIONS

Width: 23 in (584 mm)  
Depth: 23 in (584 mm)  
Height: 36.25 in (920 mm)

#### COUNTER CUT-OUT

Width: 23.25 in (591mm)  
Deep: 23.25 in (591mm)

#### ELECTRICAL

24VAC/60Hz

#### WEIGHT

Operating: 206 lbs (93 kg)  
Shipping: 130 lbs (59 kg)

#### ICE

Capacity: 100 lbs (45 kg)

#### FITTINGS

Soda inlets: 3/8" male barb  
Syrup inlets: 3/8" male barb

#### VALVES

LEV® and other valves available upon request

#### FLEX MANIFOLD CONFIGURATION

6 valve 3-2-1  
8 valve 3-1-1-3

#### KEY LOCK SWITCH

### DRAW PERFORMANCE

#### Number of Drinks Below 40°F

##### 75°F (24°C) Ambient Temperature

12 oz./12 drinks per minute  
24 oz./7 drinks per minute

##### 90°F (32°C) Ambient Temperature

12 oz./8 drinks per minute  
24 oz./5 drinks per minute

*Units can supply drinks under 40°F at rated draw performance continuously as long as ice is kept on cold plate.*

**Warranty:** For warranty specifics by product, contact your Lancer Sales Representatives.

CORPORATE OFFICE 6655 Lancer Blvd • San Antonio, TX 78219  
210-310-7000 • 1-800-729-1500 • FAX 210-310-7250 • www.lancercorp.com

Equipment design and/or specifications may change without notice.

"Lancer" is the registered trademark of Lancer Corporation © 2011 Lancer, all rights reserved.

ICD2300-Marine-CC\_SS 03/11