

## TURBO CARBONATOR



The Turbo Carbonator is designed using the highest quality materials and state-of-the-art technology providing our customers with consistent drink quality and ice dispensing.

- Superior quality and reliability
- Solid state electronics
- Built-in, advanced diagnostics system
- High capacity for fast flow valves
- Anderson Brass vented check valve
- ASSE approved check valve
- Heavy duty, high capacity tank
- Backflow preventer stainless steel



# Turbo Carbonator

## MODELS

### DOMESTIC

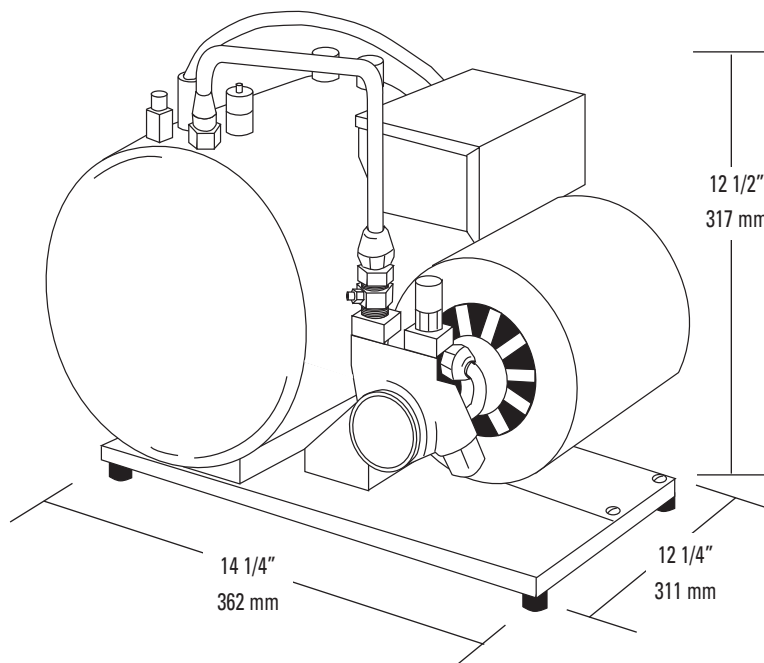
- 115V Turbo w/ standard brass VCV
- 115V Turbo w/ standard brass VCV & Insulated
- 115V Turbo w/ "T" & standard brass VCV

### EXPORT

- 220V Turbo w/ standard brass VCV
- 220V Turbo w/ standard brass VCV & Insulated
- 220V Turbo w/ SS VCV

(All models include built-in diagnostics and vented check valve.)

## SPECIFICATIONS



## PERFORMANCE DATA

With 60°F inlet water Lancer turbo carbonator will provide inline carbonation levels of 6.0 volumes.

With 75°F inlet water Lancer turbo carbonator will provide carbonation levels of 5.5 volumes.

Maximum flow with 75°F inlet water Lancer turbo carbonator will provide carbonation levels of 5.3 volumes.

### DIMENSIONS

Width: 12.25 in (311 mm)  
Depth: 14.25 in (362 mm)  
Height: 12.5 in (317 mm)

### ELECTRICAL

115V electrical system  
(220V 50/60Hz available)

### WEIGHT

Shipping: 35 lbs (15.87 kg)

### TANK OPERATING

Capacity: 215 oz (6.4 L)

### FITTINGS

Soda inlets: 3/8" male barb  
Syrup inlets: 3/8" male barb

### PUMP

100 GPH (379 LPH)

**Warranty:** For warranty specifics by product, contact your Lancer Sales Representatives.

CORPORATE OFFICE 6655 Lancer Blvd • San Antonio, TX 78219  
210-310-7000 • 1-800-729-1500 • FAX 210-310-7250 • www.lancercorp.com

"Lancer" is the registered trademark of Lancer © 2007 by Lancer, all rights reserved.

Turbo Carbonator Spec Sheet 12/08

Equipment design and/or specifications may change without notice.