

# LANCER®

## ID 4400 22" & 30" Counter Top Self Service Ice Dispensers



ID 4400 22"  
180 lb Ice Dispenser



ID 4400 30"  
250 lb Ice Dispenser

The ID 4400 22" & 30" is designed using the highest quality materials and state-of-the-art technology providing our customers with consistent quality and ice dispensing.

- Illuminated interchangeable front graphics, standard fluorescent 15 watt light bulb
- Push and lever ice dispensing versatility
- Visual low-ice indicator lights up to alert the need for ice in the dispenser bin
- High-capacity drip tray to handle customer ice over-fill helps avoid safety hazards and station clean-up from spills
- Water valve option available
- Unique Hex-Drive ice agitation and dispense drive system for trouble-free operation and long service life
- Heavy duty stainless steel construction, exterior and interior
- Fully Insulated storage bin and drip tray controls condensation and helps avoid moisture related safety hazards

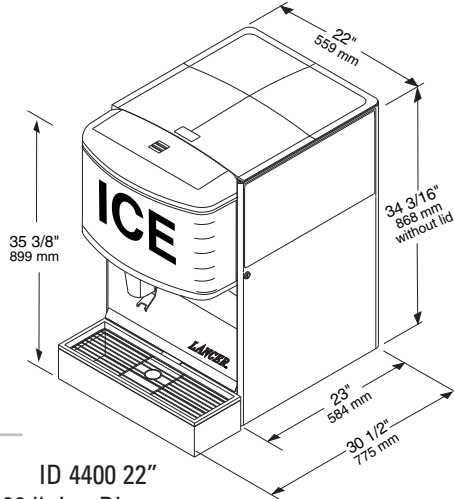


ETL CERTIFIED TO UL STD 783 AND  
CAN/CSA STD 22.2 NO. 195

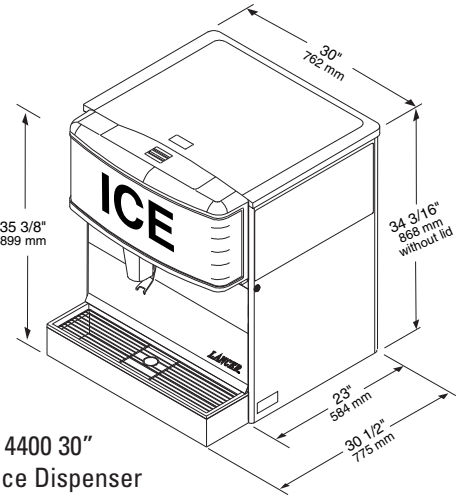


# ID 4400 22" & 30"

## SPECIFICATIONS



**ID 4400 22"**  
180 lb Ice Dispenser



**ID 4400 30"**  
250 lb Ice Dispenser

<p><b>180 LB ICE DISPENSER DIMENSIONS</b> Width: 22 in (559 mm) Depth: 30.5 in (775 mm) Height: 35.375 in (899 mm)</p> <p><b>SPACE REQUIRED</b> Width: 22.5 in (572 mm) Deep: 31 in (787 mm)</p> <p><b>ELECTRICAL</b> 115VAC/60Hz, 3AMPs 230VAC/50Hz, 1.5AMPs</p>	<p><b>WEIGHT</b> With ice: 320 lbs (145kg) Shipping: 170 lbs (77kg)</p> <p><b>250 LB ICE DISPENSER DIMENSIONS</b> Width: 30 in (762 mm) Depth: 30.5 in (775 mm) Height: 35.375 in (899 mm)</p>	<p><b>SPACE REQUIRED</b> Width: 30.5 in (775 mm) Depth: 31 in (787 mm)</p> <p><b>ELECTRICAL</b> 115V electrical system (230V 50/60Hz available)</p> <p><b>WEIGHT</b> With ice: 420 lbs (191kg) Shipping: 200 lbs (90kg)</p>
-----------------------------------------------------------------------------------------------------------------------------------------------------------------------------------------------------------------------------------------------------------------------------------------------	--------------------------------------------------------------------------------------------------------------------------------------------------------------------------------------------------------------------	-----------------------------------------------------------------------------------------------------------------------------------------------------------------------------------------------------------------------------------------------------

**Warranty:** For warranty specifics by product, contact your Lancer Sales Representatives.

CORPORATE OFFICE 6655 Lancer Blvd - San Antonio, TX 78219  
210-310-7000 - 1-800-729-1500 - FAX 210-310-7250 - [www.lancercorp.com](http://www.lancercorp.com)

Equipment design and/or specifications may change without notice.

"Lancer" is the registered trademark of Lancer Corporation © 2010 Lancer, all rights reserved. ID 4400 22 & 30 Gen Spec Sheet 01/10