

LEV®



Push Button



Portion Control



Crew-Serve



Self-Serve



Easyfill

Lancer Electric Valve

The LEV® is the best in class and best selling valve on the market. It is built with the highest quality materials and proven technology to provide our customers with consistent drink quality and reliability.

LEV® VALVES

- > Over six million valves produced since 1987
- > Available in 3 and 4.5 oz/second flow rates
- > Consistent "Best in Class" performance
- > Lowest "Life Cost" of operation available
- > Simple design gives high reliability
- > Widest range of ratio control (2:1 - 10:1)
- > **Dispensing Solutions that *Pour More***

LANCER

lancercorp.com

LEV® VALVES

SPECIFICATIONS

PRESSURE REQUIREMENTS (FLOWING PRESSURE)

Water: 40 - 110 psig [2.8 - 7.7 bar]

Syrup (Sugar): 20 - 70 psig [1.4 - 4.9 bar]

Syrup (Diet/Light): 10 - 70 psig [0.7 - 4.9 bar]

DRINK FLOW RATES

LEV 3.0: 1.5 oz/s - 3.0 oz/s
[44.4 ml/s – 88.8 ml/s]

LEV 4.5: 2.5 oz/s - 4.5 oz/s
[73.9 ml/s – 133.1 ml/s]

RATIO ADJUSTMENT RANGE

2.0 - 10.0 Water/Syrup by Volume
(dependent on finished drink flow rate)

ELECTRICAL REQUIREMENTS

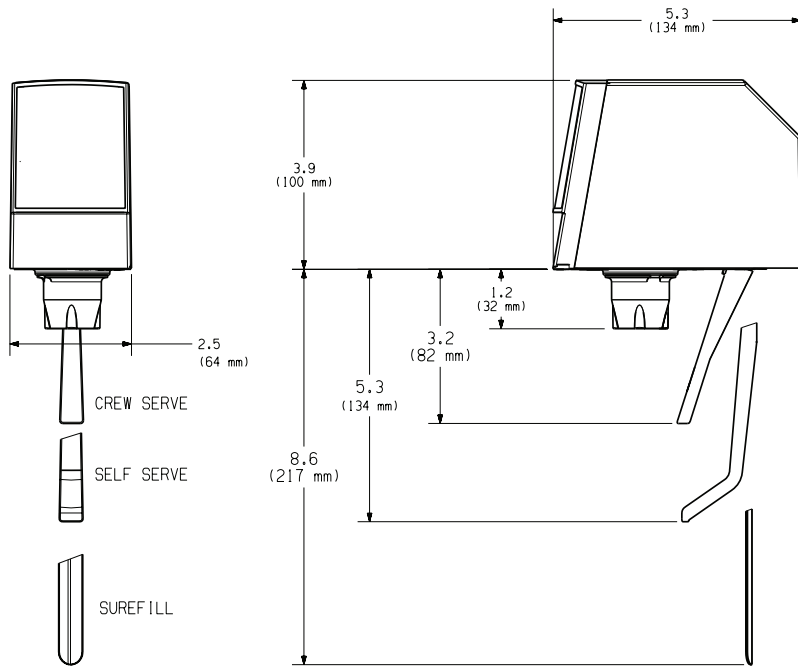
24V, 50/60 Hz

MOUNTING

Uses LEV® Mounting Block

– LEV® mounting block has the same mounting screw hole pattern as the following:

- > Dole SEV
- > Dole FFV
- > Cornelius UF1, SF1
- > McCann Turbo Flo Jr.



OPTIONS



Nozzle



Syrup Separator Nozzle



Front Water Lever



Diffuser



Bare Valve

Customer Service:

Should you require more information about our products, please do not hesitate to contact our customer service desk at custserv@lancercorp.com.

Warranty:

For warranty specifics by product, contact your Lancer Sales Representative. Equipment design and/or specifications are subject to change without notice.

Lancer Corp. 6655 Lancer Boulevard · San Antonio, TX 78219

210-310-7000 · 1-800-729-1500 · Fax: 210-310-7250

Pour More

LANCER®



Model
100

lancercorp.com