

Product Information

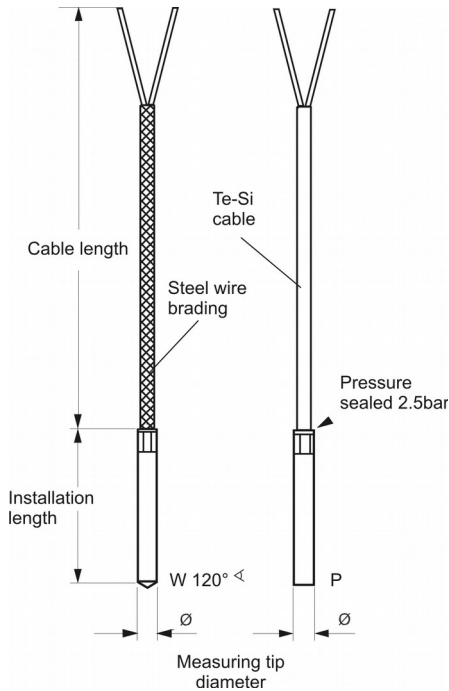
**Temperature Sensor
 7024 / 7124**



Characteristics

- Thermocouple Fe-CuNi (type J); NiCr-Ni (type K)
- RTD Pt100, class B
- Thermowell material stainless steel 1.4571
- Measuring tip plane or angle 120°
- Cable type flexible fiberglass insulation with steel wire braiding or Teflon-Silicon-insulation

Dimensions



Ordering code

1. 2. 3. 4. 5. 6. 7. 8. 9.
 - - - - - - - -

1. Measuring element	
7024/J	thermocouple Fe-CuNi (type J)
7024/K	thermocouple NiCr-Ni (type K)
7124	Pt100 class B
2. Number of elements	
1	
2	
3. Connection type	
2L	2-wire
3L	3-wire (only 7124, Pt100)
4L	4-wire (only 7124, Pt100)
4. Measuring tip diameter	
3	3 mm
4	4 mm
5	5 mm
6	6 mm
5. Measuring tip type	
P	plane (flat tip)
W	angle 120°
6. Installation length	
30	30 mm
40	40 mm
60	60 mm
xx	custom length [mm]
7. Cable type insulation	
EGL	flexible fiberglass with steel wire braiding
Te-Si	Teflon-Silicon up to 180°C
8. Cable length (please state in clear text)	
X	length in mm
9. Operating temperature	
180°C	Teflon-Silicon-insulation
400°C	Fiberglass insulation

(other versions on request)

Stock

- 7024/J-1-2L-3-P-30-EGL-2000-400°C
- 7024/J-1-2L-4-W-40-EGL-2000-400°C
- 7024/J-1-2L-6-W-60-EGL-2000-400°C
- 7124-1-2L-4-W-40-EGL-2000-400°C
- 7124-1-2L-6-P-60-EGL-2000-400°C
- 7124-1-2L-6-P-60-Te-Si-3000-180°C