

Temperature Guard TG50



Output	
Alarm A1-A4	: relay SPDT < 250 V AC < 250 VA < 2 A cos Phi ≥ 0.3 < 300 V DC < 40 W < 2 A
Analog	: 0/4..20 mA burden ≤500 Ω 0/2..10 V burden >500 Ω isolated, automatic output changing (burden dependent)
- Accuracy	: 0.2 %; TK 0.01 %/K
Fault indication	: for broken line or short circuit detection → analog output (programmable) 0 mA, < 3.6 mA or >21.5 mA → Alarm relays min. or max. function programmable
Case	: Polyamide (PA) 6.6 , UL94V-0 TS35 acc. to DIN EN 60715:2001-09
Weight	: approx. 450 g
Connection	: screw terminals 0.14..2.5 mm ² AWG 26..AWG14
Protection class	: case IP30, terminals IP20 acc. to BGV A3

Characteristics

The Temperature-Guard TG50 has inputs for temperature probes RTD (Pt100/Pt1000) and thermocouple J, K, N and S. Simple programming, up to 4 alarm outputs (SPDT) and an available fully isolated free programmable analog output 0/4..20 mA; 0/2..10 V DC offers a lot of solutions for temperature monitoring. Peak value indication for minimum and maximum measured temperature are stored in the background and can be read out from the display at any time.

Technical data

Power supply

Supply voltage : 230 V AC ±10 %
 115 V AC ±10 %
 24 V DC ±15 %
 : < 5 VA

Operating temperature : -10..+55 °C

CE-conformity : ATEX-directive 94/9/EG
 (certificate PMT50ATEX.001)
 EN 60079-0:2006 EN60079-11:2007
 EN 61241-0:2006 EN61241-11:2006
 IEC61326 05/2004, IEC 61000-4-2,
 IEC 61000-4-3, IEC 61000-4-4,
 IEC 61000-4-5, IEC 61000-4-6,
 IEC 61000-4-8, IEC 61000-4-11,
 CISPR16-1/16-2

Input

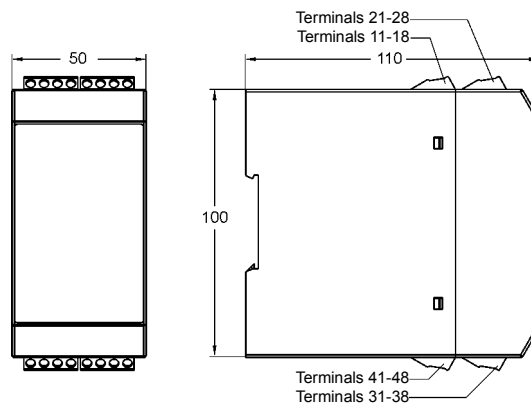
Fault function : break of wire (RTD Pt100/1000,
 Thermocouple) and short-circuit
 (only Pt100/1000)

RTD : Pt100 (3-wire) -100.0..+600.0 °C
 Pt1000 (3-wire) -100.0..+300.0 °C
 : Thermocouple (TC)
 type J -100.0..+800.0 °C
 type K -150..+1200 °C
 type N -150..+1200 °C
 type S -50..+1600 °C

Accuracy : <0.1 %, ±1 Digit

Display : Graphic LCD-Display, 128 x 64 Pixel,
 with white back-lite

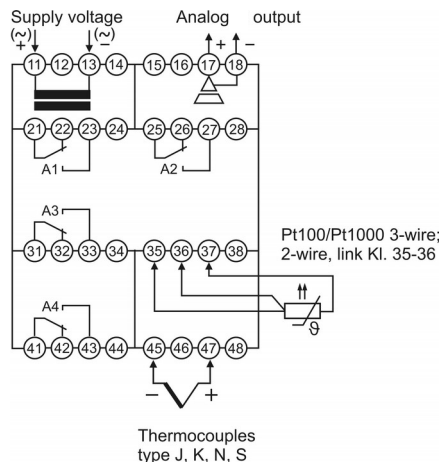
Dimensions



Continue next page.

Product Information

Connection diagram



Ordering code

1. 2. 3. 4. 5. 6.
 TG50 - - - - - -

1. Device type/input

- 3 RTD Pt100, 3-wire, -100.0..+600.0 °C
- RTD Pt1000, 3-wire, -100.0..+300.0 °C
- Thermocouple
- J (Fe-CuNi), -100.0..+800.0 °C
- K (NiCr-Ni), -150..+1200 °C
- N (NiCrSi-NiSi), -150..+1200 °C
- S (Pt10Rh-Pt), -50..+1600 °C

2. Alarm output A1, A2

- 2R 2 relay SPDT

3. Alarm output A3, A4

- 00 not installed
- 2R 2 relay SPDT

4. Analog output

- 00 not installed
- AO 0/4..20 mA, 0/2..10 V DC, isolated

5. Supply voltage

- 0 230 V AC, ± 10 % 50-60 Hz
- 1 115 V AC, ± 10 % 50-60 Hz
- 5 24 V DC, ± 15 %

6. Options

- 00 without option