

FRICION CONVEYOR ROLLER SERIES 3800



Conveyor Rollers
Friction drive
Series 3800

Accumulation with gentle accumulation pressure

Product Description

- Exceptionally low-noise operation
 - Polyamide or POM drive heads (alternatively made of steel)
 - Replaceable drive heads for fixed and friction drives
 - Fixed bearing housing for attachable drive heads
 - Weight-dependent accumulation pressure and weight-dependent conveyance
 - Radial friction coupling in the conveyor roller
 - Comprehensive drive versions
 - Toothed and flat belts; chain drive 1/2" Z9, Z11, Z14
- Applications**
- Accumulation operation with gentle accumulation pressure of medium-heavy materials to be conveyed
 - Drums, tyres, boxes
- Properties**
- Sealed precision ball bearing (6002 2RZ)
 - Series 3800 based on Series 1700
- Associated platform**
- Platform 1700

Technical Data

General technical data

Max. load capacity	500 N
Max. conveyor speed	0.5 m/s
Temperature range	-5 to +40 °C

Materials

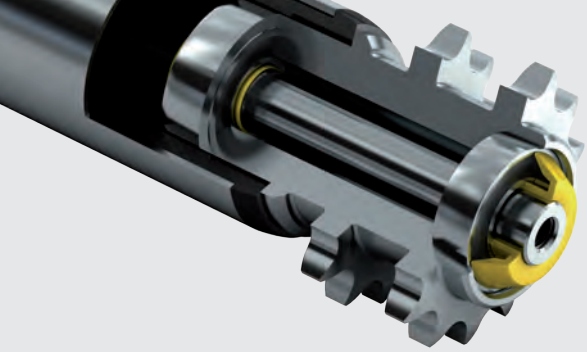
Bearing housing	Polyamide
Drive head	Polyamide, POM, steel
Friction coupling	Polyamide
Seal	Polypropylene
Ball bearing	Steel 6002 2RZ

The load capacity depends on the shaft version, the tube diameter, the length of the roller and the torque transmission.

Female threaded shaft version

Tube material	Ball bearing	Torque transmission	Ø Tube mm	Ø Shaft mm	Max. load capacity in N with an installation length of mm						
					200	400	600	800	1000	1200	1400
PVC	6002 2RZ	Polymer sprocket Z = 11	50 x 2.8	14	300	300	110	40	-	-	-
		1 & 2 polymer sprockets Z = 14	50 x 2.8	14	350	265	90	50	-	-	-
		Toothed belt head Z = 18									
Steel, zinc- plated	6002 2RZ	Polymer sprocket Z = 11	50 x 1.5	14	300	300	300	300	300	290	250
		1 & 2 polymer sprockets Z = 14	50 x 1.5	14	500	500	500	500	500	500	500
		Toothed belt head Z = 18	50 x 1.5								
		1 & 2 polymer sprockets Z = 14	60 x 1.5	14	500	500	500	500	500	500	500
		Toothed belt head Z = 18	60 x 1.5								
		1 & 2 steel sprockets Z = 14	50 x 1.5	14	500	500	500	500	500	500	500
			60 x 1.5		500	500	500	500	500	500	500

Load capacity



FRICION CONVEYOR ROLLER SERIES 3800



Conveyor Rollers
Friction drive
Series 3800

Accumulation with gentle accumulation pressure

Product Selection

Female threaded shaft version

Tube		Torque transmission	Ball bearing	Shaft
Material	Ø mm			Reference number
PVC	50 x 2.8	Polymer sprocket 1/2", Z = 14	6002 2RZ	Ø 14 mm (M8 x 15) 3.8M3.SAA.N90
		Polymer sprocket 1/2", Z = 11		3.8M1.SAA.N90
		2 polymer sprockets 1/2", Z = 14		3.8M5.SAA.N91
Steel, zinc-plated	50 x 1.5	Toothed belt head	6002 2RZ	3.8B2.JAA.N90
		Steel sprocket 1/2", Z = 14		3.80R.JAA.N7S*
		Steel sprocket 1/2", Z = 14		3.8J6.JAA.N90
		Polymer sprocket 1/2", Z = 14		3.8L7.JAA.N90
		Polymer sprocket 1/2", Z = 11		3.8L2.JAA.N90
		2 steel sprockets 1/2", Z = 14		3.8K9.JAA.N91
		2 polymer sprockets 1/2", Z = 14		3.8LC.JAA.N91

*Adjustable friction

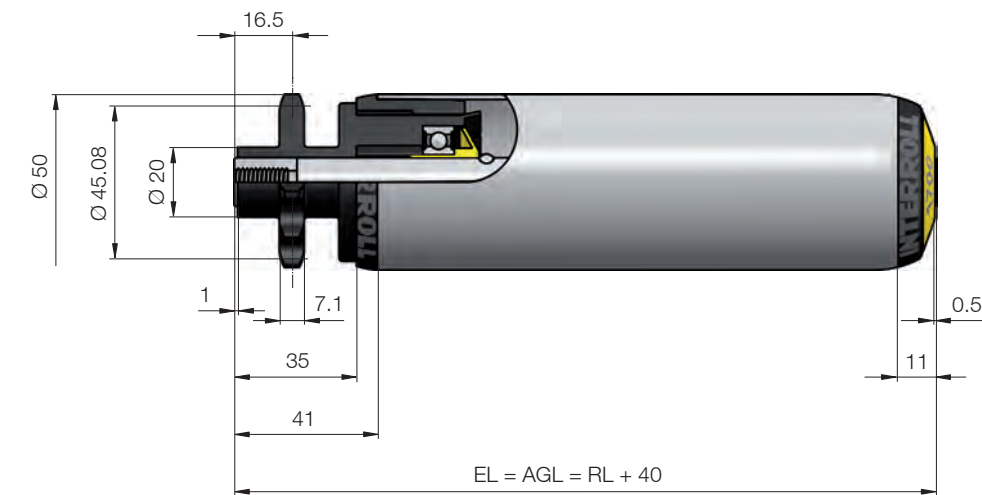
Example of a reference number: 3.8L7.JAA.N90 - 460

This reference number is for a Conveyor Roller Series 3800, steel, zinc-plated, Ø tube 50 mm, polymer sprocket 1/2", Z = 14, Ø shaft 14 mm, female threaded shaft and reference length 460 mm. The reference length RL can be found on the dimensioned drawing: $RL = EL - 40$. The axial play of the sides of 1 mm and 0.5 mm has already been taken into account. The nominal clearance of your conveyor is 500 mm, which also corresponds to the installation length EL, i. e. the reference length is: $500 - 40 = 460$ mm.

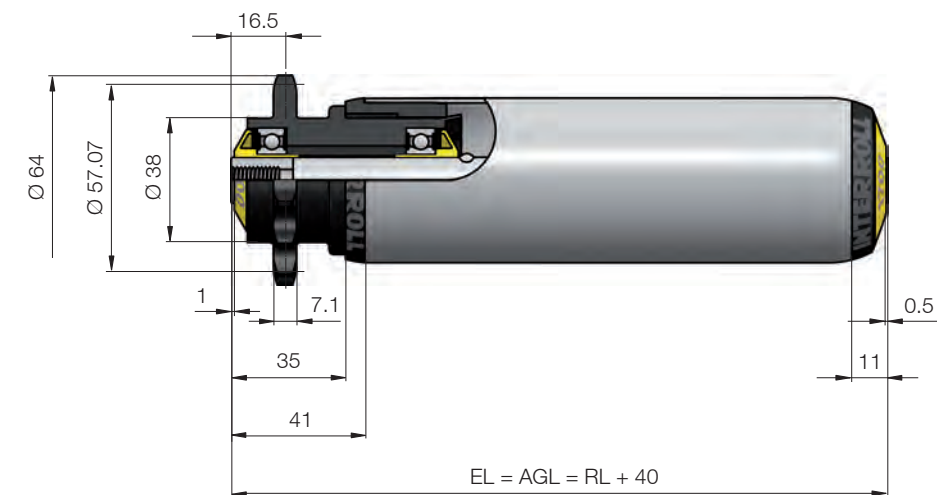
RL	Reference length/Ordering length*
EL	Installation length
AGL	Total length of shaft

*The reference length/ordering length RL does not have any reference edges on the conveyor roller and can therefore not be shown.

Dimensions for polymer sprocket 1/2", Z = 11



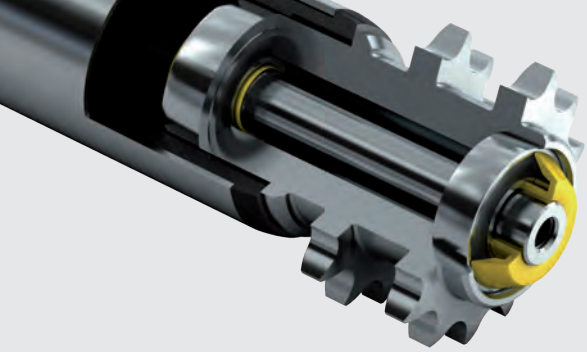
Dimensions for polymer sprocket 1/2", Z = 14



Standards

Ordering example

Dimensions



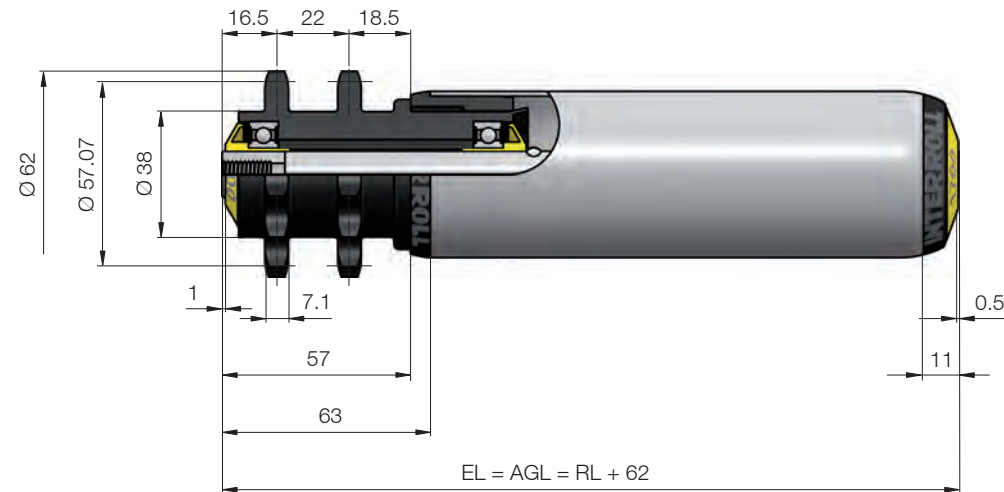
FRICION CONVEYOR ROLLER SERIES 3800



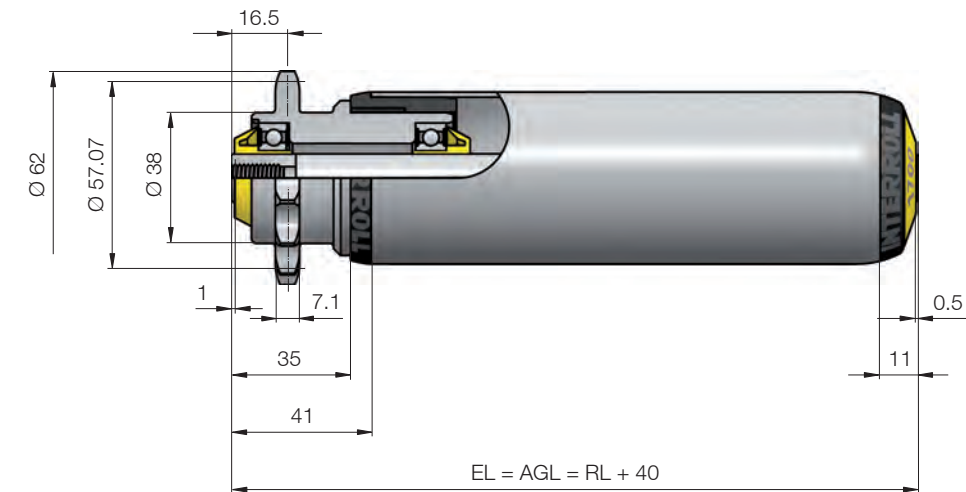
Conveyor Rollers
Friction drive
Series 3800

Accumulation with gentle accumulation pressure

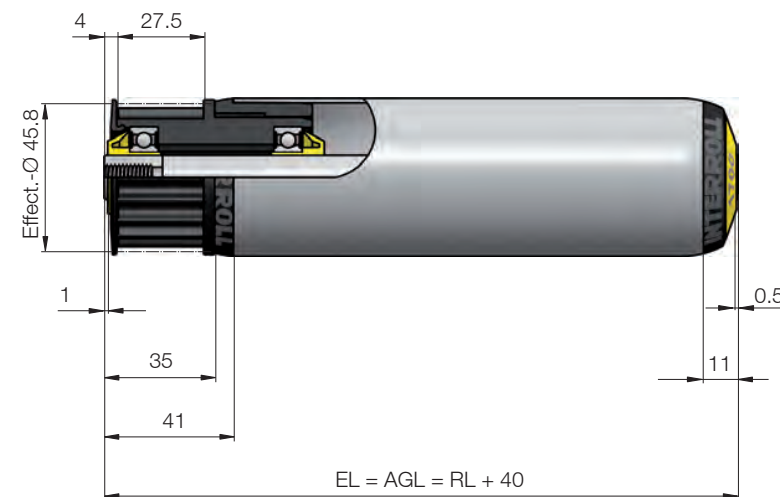
Dimensions for 2 polymer sprockets 1/2", Z = 14



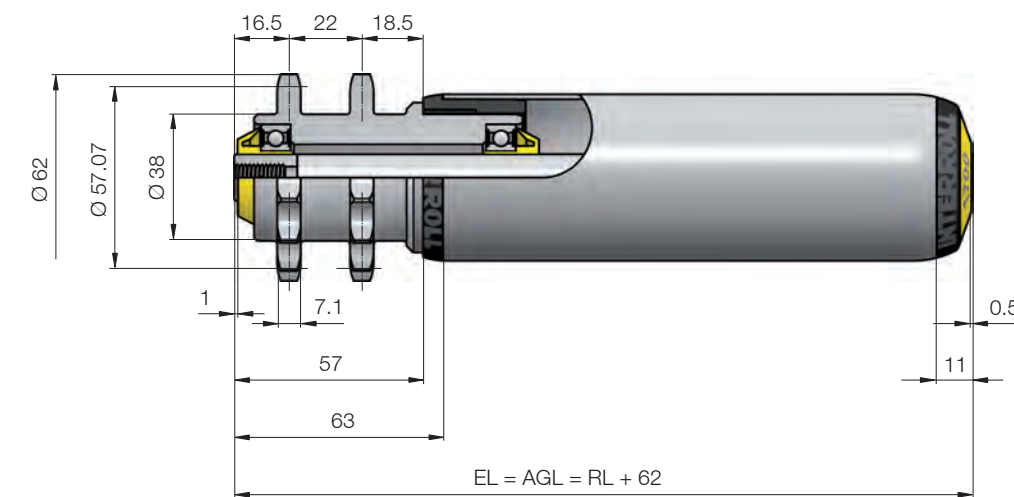
Dimensions for steel sprocket 1/2", Z = 14

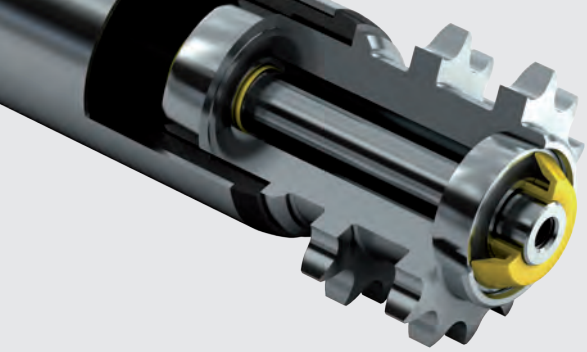


Dimensions for toothed belt head T = 8, Z = 18



Dimensions for 2 steel sprockets 1/2", Z = 14





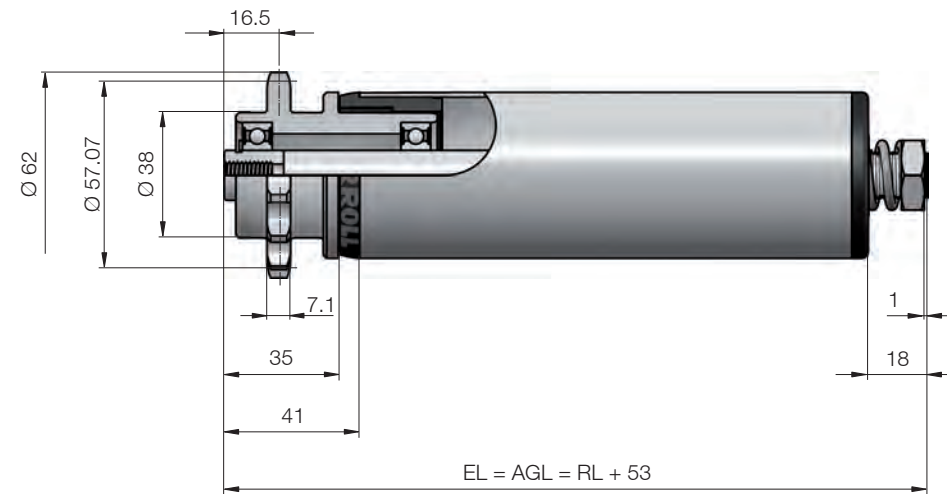
FRICION CONVEYOR ROLLER SERIES 3800

Accumulation with gentle accumulation pressure



Conveyor Rollers
Friction drive
Series 3800

Dimensions for steel sprocket 1/2", Z = 14 (adjustable friction)



Options

We can offer you the following options in addition to our standard products:

- Antistatic version