

STEEL BALL TRANSFER UNITS 5000

Load capacity up to 20,000 N, steel housing

Product Description

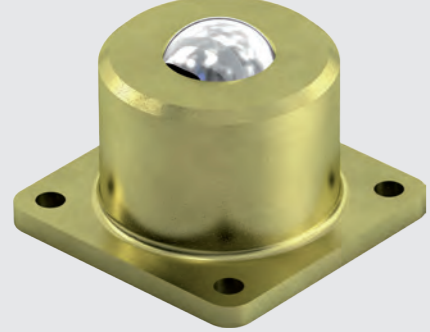
- Conveyance possible in every direction
 - Simple construction of intersections and switchblades
 - Easy running balls
- Applications**
- Alignment of medium-heavy and heavy plates, containers with smooth surfaces
 - Pushing of steel or wooden plates
 - Installation upside down is possible
- Properties**
- The support balls circulate under the main ball in operation so that the material to be conveyed is constantly supported
 - The balls rotate on a number of small circulating balls, which in turn rotate on a hardened mushroom-shaped steel table
- Design information**
- The load capacity of the ball rollers is best used if the balls have exactly the same level

Product Selection

Fixing	Ø Ball	Material	Max. load capacity	Weight	Reference number
	mm		N	g	
Base flange	12.7	Steel	360	78	5019
	25.4		1,820	480	5020
	25.4		3,200	797	5021
	38.1		10,000	1,284	5022
	50.8		20,000	5,556	5023
Head flange	12.7	Steel	360	78	5024
	25.4		1,820	432	5025
	25.4		3,200	802	5026
	38.1		10,000	1,284	5027
	50.8		20,000	5,844	5028
Threaded pin	12.7	Steel	360	43	5014
	25.4		1,820	480	5015
	25.4		3,200	598	5016
	38.1		10,000	1,198	5017
	50.8		20,000	5,500	5018

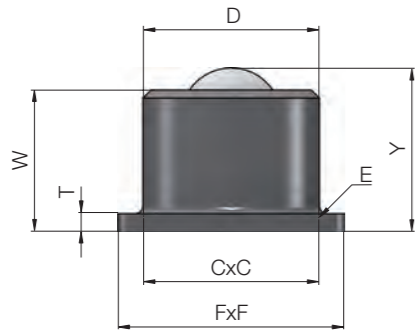
STEEL BALL TRANSFER UNITS 5000

Load capacity up to 20,000 N, steel housing



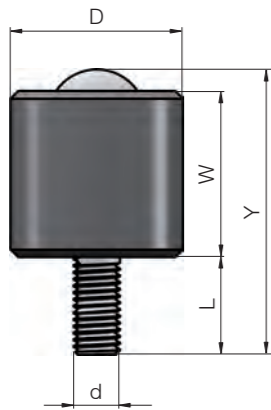
Dimensions

Dimensions with
base flange

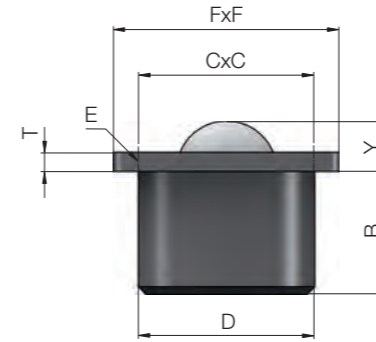


Ø Ball mm	CxC mm	D mm	E mm	FxF mm	T mm	W mm	Y mm
12.7	34.9 pcd	23.8	2 x 3.6	44.5 sq	3.2	18.6	22.6
25.4	44.5 sq	44.5	4 x 5.6	57.2 sq	4.8	35.7	41.3
25.4	57.9 sq	50.8	4 x 7.1	76.2 sq	6.4	38.1	44.5
38.1	57.9 sq	60.3	4 x 7.1	76.2 sq	12.7	48.8	61.5
50.8	101.6 sq	111.1 / 104.8 conical	4 x 11	127 sq	12.7	82.5	98.4

Dimensions with
threaded pin



Ø Ball mm	D mm	d mm	L mm	W mm	Y mm
12.7	20.6	M8	15.9	15.1	35.0
25.4	44.5	M12	25.4	43.0	74.0
25.4	50.8	M12	25.4	45.2	77.0
38.1	60.3	M20	41.1	60.3	114.1
50.8	101.6	M24	50.8	93.3	160.0



Ø Ball mm	B mm	CxC mm	D mm	E mm	FxF mm	T mm	Y mm
12.7	11.4	34.9 pcd	23.8	2 x 3.6	44.5 dia.	3.2	11.2
25.4	31.0	44.5 sq	44.5	4 x 5.6	57.2 sq	4.8	10.3
25.4	31.8	57.9 sq	50.8	4 x 7.1	76.2 sq	6.4	12.7
38.1	34.9	57.9 sq	60.3	4 x 7.1	76.2 sq	12.7	25.4
50.8	65.1	101.6 sq	110.0	4 x 10.2	127.0 sq	19.1	33.3

Dimensions
with head flange