

LIGHT DUTY FLANGED BRACKET FOR IDLER PULLEY

Set of brackets for mounting an idler pulley

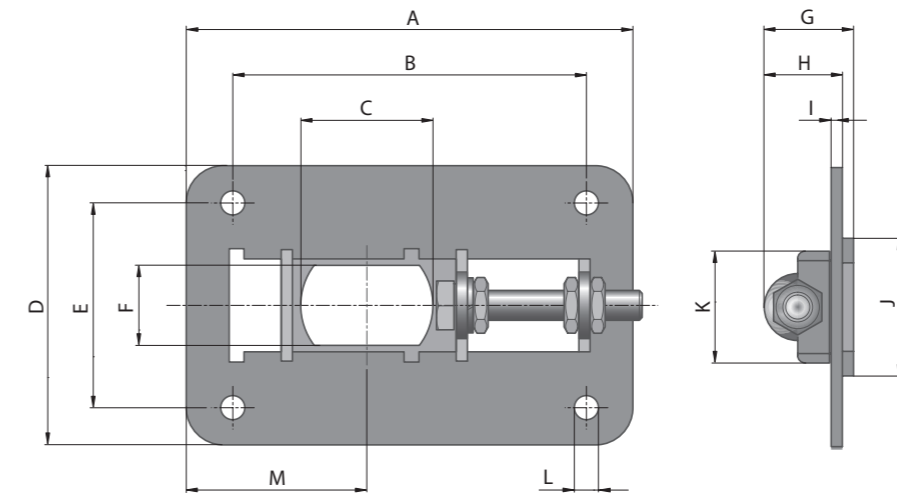
Product Description

Application ✓ For Interroll Idler Pulley 80S, 113S

Product Range

Article	Shaft mm	Material	Art. No.
80S / 113S	21 x 35	Stainless steel	61103898

Dimensions



Shaft mm	A mm	B mm	C mm	D mm	E mm	F mm	G mm	H mm	I mm	J mm	K mm	L mm	M _{min} mm	M _{max} mm
21.0 x 35.0	120.0	95.0	35.5	75.0	55.0	21.5	24.0	21.0	3.0	37.0	30.0	6.5	35.0	79.0