

HEAVY DUTY FLANGED BRACKET PE

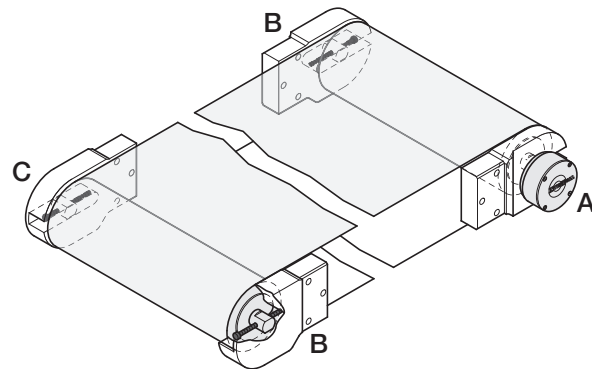
Set of brackets for mounting a drum motor or an idler pulley

Product Description

- Application**
- ✓ For drum motors 80i, 113i, 138i, 165i and corresponding idler pulleys
 - ✓ For drum motors with cable connectors or terminal box
 - ✓ Only for drum motors with a cross drill thread in the front shaft (non cable / terminal box side)
 - ✓ Only for idler pulleys with a threaded hole in each shaft end

Note: For threaded shaft dimensions refer to the dimensional drawings for the respective drum motor.

Mounting Overview
Brackets must be mounted in the following way:



Dimensions

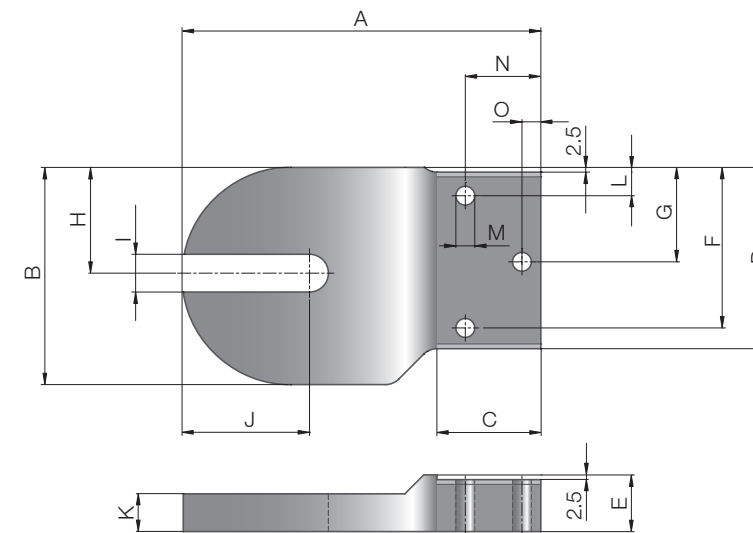


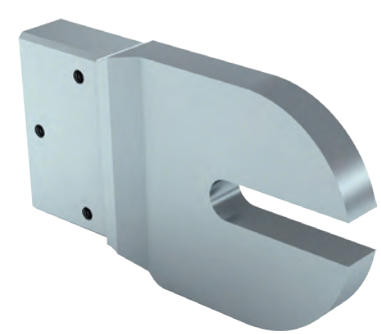
Fig.: Right-hand side bracket (A) for drum motor with elbow connector, straight connector or terminal box

Drum Motor	A mm	B mm	C mm	D mm	E mm	F mm	G mm	H mm	I mm	J mm	K mm	L mm	M	N mm	O mm
80i	120.0	85.0	25.0	62.5	20.0	50.0	-	40.0	13.5	47.5	9.0	15.0	M8	10.0	-
113i	190.0	115.0	55.0	96.0	30.0	85.0	50.0	56.0	20.0	67.5	20.0	15.0	M8	40.0	10.0
138i	200.0	140.0	55.0	121.0	30.0	110.0	62.5	67.0	20.0	80.0	20.0	15.0	M10	40.0	10.0

Product Range

One set of brackets comprises of one left-hand bracket and one right-hand bracket.

Drum Motor	Idler Pulley	Bracket set	Material	Electrical connector	Art. No.
113i		A + B	PE	Elbow connector Straight connector Terminal box	61006805
113i		A + B	PE	Cable slot connector	61008697
138i		A + B	PE	Elbow connector Straight connector Terminal box	61008702
138i		A + B	PE	Cable slot connector	61100570
80i		A + B	PE	Elbow connector Straight connector Terminal box	61008693
	80i	B + C	PE		61008695
	113i	B + C	PE		61008700
	138i	B + C	PE		61008705



HEAVY DUTY FLANGED BRACKET PE

Set of brackets for mounting a drum motor or an idler pulley

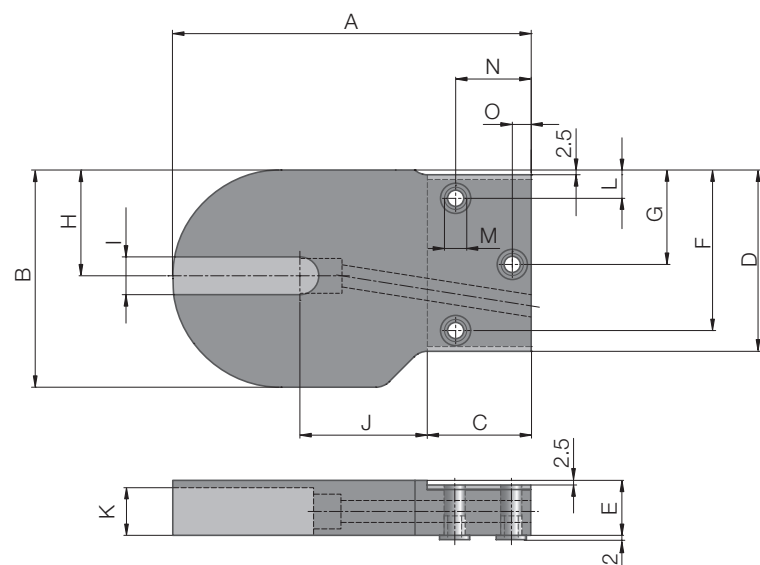


Fig.: Right-hand side bracket (A) for drum motor with cable slot connector

Drum Motor	A mm	B mm	C mm	D mm	E mm	F mm	G mm	H mm	I mm	J mm	K mm	L mm	M	N mm	O mm
113i	190.0	115.0	55.0	96.0	30.0	85.0	50.0	56.0	20.0	67.5	26.0	15.0	M8	40.0	10.0
138i	200.0	140.0	55.0	121.0	30.0	110.0	62.5	67.0	20.0	65.0	26.0	15.0	M10	40.0	10.0

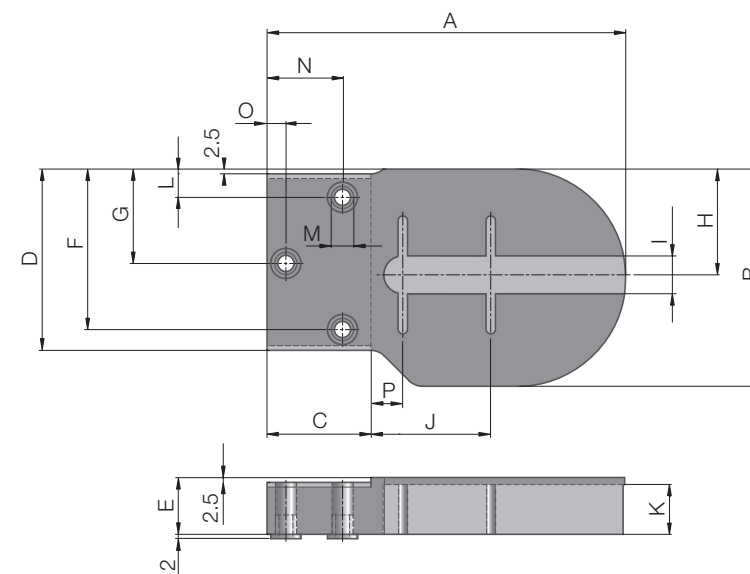


Fig.: Left-hand side bracket (B) for drum motor and idler pulley

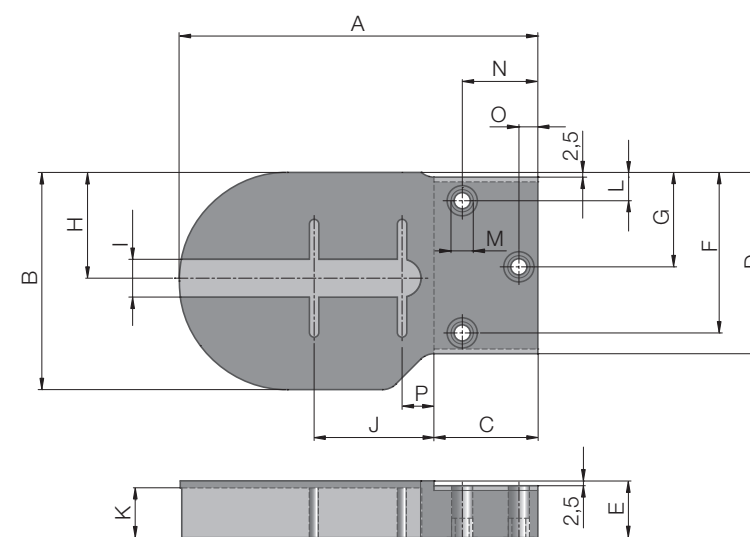


Fig.: Right-hand side bracket (C) for idler pulley

Drum Motor / Idler Pulley	A mm	B mm	C mm	D mm	E mm	F mm	G mm	H mm	I mm	J mm	K mm	L mm	M	N mm	O mm	P mm
80i	120.0	85.0	25.0	62.5	20.0	50.0	-	40.0	13.5	42.5	9.0	15.0	M8	10.0	-	12.5
113i	190.0	115.0	55.0	96.0	30.0	85.0	50.0	56.0	20.0	60.0	20.0	15.0	M8	40.0	10.0	17.5
138i	200.0	140.0	55.0	121.0	30.0	110.0	62.5	67.0	20.0	60.0	20.0	15.0	M10	40.0	10.0	15.0