



INTERROLL BALL TABLE RM 5760



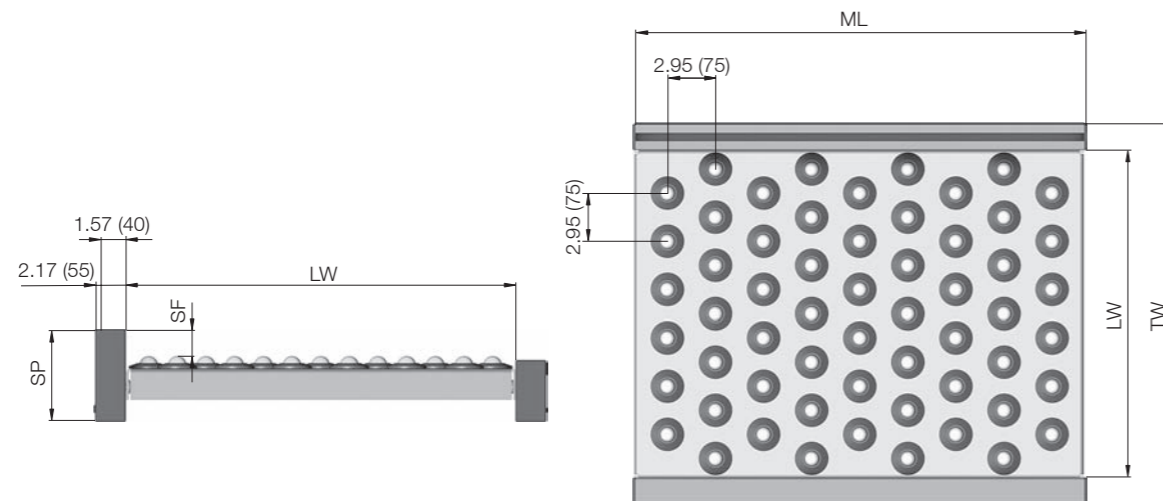
Roller Conveyors
Gravity
RM 5760
Ball Table

The ball table enables material to be moved horizontally in any direction with very little force. It is especially suitable for workstation & inspection areas. The ball units are fitted into a sub frame assembled to standard aluminum side frames to allow the ball table section to be easily integrated into a conveyor system.

Technical Data

| General technical data | |
|---|--|
| Max. load capacity | 75 lb/ft (100 kg/m) |
| Inclined/declined | Suitable |
| Ambient temperature | +25 to +125 °F (-5 to +50 °C) |
| Side frame | |
| 150 mm (6") Extrusion | 6" (150 mm) high, 2.6" (65 mm) above top of ball |
| 80 mm (3.15") Extrusion | Allows lateral shifting 3.15" (80 mm) high, 0.16" (4 mm) below top of ball |
| Combination of frame heights left/right | 6" / 6" (150 mm / 150 mm) 6" / 3.15" (150 mm / 80 mm) 3.15" / 6" (80 mm / 150 mm) 3.15" / 3.15" (80 mm / 80 mm) |

Dimensions

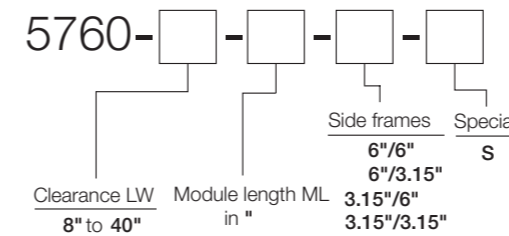


| Dimensions | |
|-----------------------|--|
| LW Clearance | 8" to 40" in 2" increments (210 mm to 1,010 mm in 50 mm increments) |
| ML Max. module length | 120" (3,000 mm) |
| TW Module width | LW + 3.31" (84 mm) |
| Pitch | 2.95" (75 mm) |
| SP Side frame | 3.15" / 6" (80 mm / 150 mm) |
| SF Side guide | 0.16" / 26" (4 mm / 65 mm) |

Order Information

- The module is fully assembled
- Please order support legs, end caps and end stop separately
- Steel components are powder-coated (in black RAL 9005 or in gray RAL 7030) or zinc-plated

Please create the reference number with the following configurator.



If you require a non-standard version, add an „S“ to the end and describe your requirements.

Example of a reference number: 5760-28-31.50-6/3.15

This reference number stands for Interroll Ball Table RM 5760 with a clearance LW 28" (710 mm), a module length ML 31.50" (800 mm) and side frames with dimensions of 6" (150 mm)/3.15" (80 mm).

Accessories

- Support legs, see from 134
- End caps, see 116
- End stop, see 74

Scope of supply

Configurator

Order example