

Micro Flow Switch with Factory Set Switch Point



measuring
•
monitoring
•
analyzing

KSR / SVN



- Flow Switch for Low Volumes of Water or Air
- Reed Contact or Proximity Switch
- Vertical Connections for In-line Mounting
- Switching Ranges: 0.03...4.0 GPH (Water)
0.1...13 SCFH (Air)



KOBOLD companies worldwide:

ARGENTINA, AUSTRIA, BELGIUM, BULGARIA, CANADA, CHILE, CHINA, COLOMBIA, CZECH REPUBLIC, EGYPT, FRANCE, GERMANY, GREAT BRITAIN, HUNGARY, INDIA, INDONESIA, ITALY, MALAYSIA, MEXICO, NETHERLANDS, PERU, POLAND, ROMANIA, SINGAPORE, SOUTH KOREA, SPAIN, SWITZERLAND, TAIWAN, THAILAND, TUNISIA, TURKEY, USA, VIETNAM

KOBOLD Instruments, Inc.
1801 Parkway View Drive
Pittsburgh, PA 15205
☎ Main Office:
1.800.998.1020
☎ 1.412.788.4890
info@koboldusa.com
www.koboldusa.com



Description

KOBOLD micro flow switches, models KSR and SVN, operate on the same principle as a float-type or variable area flow indicator. Provided that the flow rate is above a preselected minimum, the float is raised from its seat and travels the full distance to its upper stop. The model SVN utilizes an inductive proximity switch which transmits a signal to a suitable power supply/relay module, such as our KFA- or KFD-series, triggering a user specified signaling or switching sequence. The model KSR contains a magnet within its float, which activates an electrically isolated reed-switch. As long as the maximum switching capacity of the reed switch is not exceeded, no supplemental relay is required to provide a triggering function. If additional switching capacity is required, KOBOLD can supply an appropriate isolation relay to protect the flow switch contacts from overload damage.



Specifications

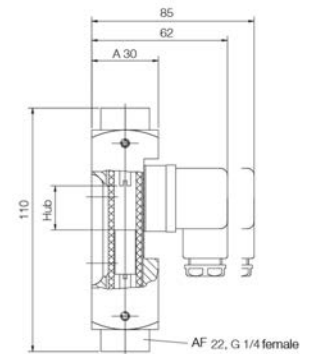
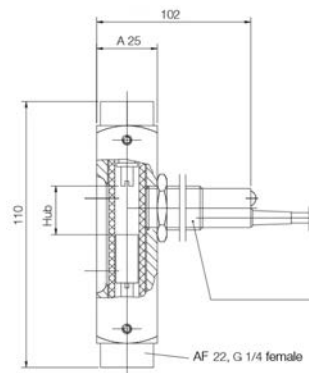
Switching Ranges (Factory Set)

- Water:** 0.03...4.0 GPH (Model SVN)
0.03...2.5 GPH (Model KSR)
- Air:** 0.1...13 SCFH (at STP)
- Max. Temp:** 160 °F
- Max. Pressure:** 230 PSIG
- Wetted Parts:** 303 SS, FKM, Borosilicate Glass
- Housing:** Anodized Aluminum
- Mounting:** Vertical, Upward Flow
- Fitting:** 1/4" NPT , G 1/4

Dimensions (mm)

SVN..
w/Proximity Switch

KSR..
w/Reed Switch



Order Details (Example: **SVN-1200 W N08; 3 GPH Increasing Flow Rate**)

Model Number	Limit Switch	Media	Connection	Set Point (Specify in Writing)
SVN-1200..	Proximity Switch, NAMUR Output 7.7-9 VDC, 2-wire	..W.. = Water	..N08.. = NPT 1/4"	Example: 5 SCFH Decreasing Flow
SVN-1201..	Proximity Switch, DC Voltage 10-35 VDC, 3-wire NPN, N/O Contact			
KSR-1200..	Reed Contact N/O Max. 24 V/0.1 A/1 W	..L.. = Air	..R08.. = G 1/4	
KSR-1201..	Reed Contact SPDT Max. 100V/0.5 A/5 W			