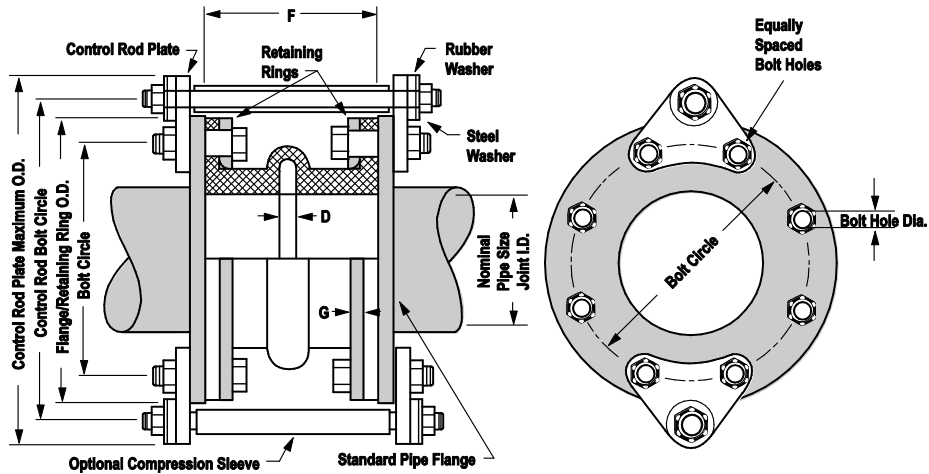


UNISOURCE
UNI ROD-S
Standard Control Units
For Single Arch Rubber
Expansion Joints



- Metallic Parts To Consist of:
- Galvanized/Plated Steel:
- T304 Stainless Steel:
- T316 Stainless Steel:

Pipe/EJ Size	Standard Control Unit Assembly of Rods and Plates		Plate Thickness	Rod Diameter	Maximum Surge or Test Pressure of System (No. of Control Rods Recommended)					Std. Rod Length	Wgt Per Unit (Lbs.)
					2	3	4	6	8		
1-1/2	2	4	3/8	5/8	510	--	--	--	--	14	4.5
2	2	4	3/8	5/8	661	--	--	--	--	14	6.5
2-1/2	2	4	3/8	5/8	529	--	--	--	--	14	7.5
3	2	4	3/8	5/8	441	--	--	--	--	14	8.3
4	2	4	3/8	5/8	311	467	622	--	--	14	7.5
5	2	4	3/8	5/8	235	353	470	--	--	14	8.3
6	2	4	1/2	5/8	186	278	371	--	--	14	10.5
8	2	4	1/2	7/8	163	244	326	--	--	18	13.5
10	2	4	3/4	7/8	163	244	325	488	--	18	21.3
12	2	4	3/4	1-1/8	160	240	320	481	--	18	27.0
14	2	4	3/4	1-1/8	112	167	223	335	--	18	28.0
16	2	4	3/4	1-1/8	113	170	227	340	453	18	28.0
18	2	4	3/4	1-1/8	94	141	187	281	375	18	31.5
20	2	4	3/4	1-1/8	79	118	158	236	315	18	32.5
24	2	4	1	1-1/4	74	110	147	221	294	18	47.0
36	2	4	1-1/2	1-3/4	69	103	138	207	276	18	43.0

Note: Rod diameter, plate thicknesses, and number of rods equal or exceed recommendations by the Non-Metallic Expansion Joint Division of the Fluid Sealing Association Technical Handbook – Sixth Edition.

Customer: _____

Project: _____

Engineer: _____

PO#: _____

- Materials**
- Threaded Rods:** (2) ea
- Gusset Plates:** (4) ea
- Nuts:** (8) ea
- Metal Washers:** (4) ea
- Rubber Grommets:** (8) ea



Portland, OR

DRAWING UNI ROD-S 9/23/2014