

Pressure Switches



measuring
•
monitoring
•
analyzing

KPS / KAS



- Industrial and Marine Applications
- World-Wide Approvals
- IP 67 Enclosure
- Rugged and Reliable



KOBOLD companies worldwide:

ARGENTINA, AUSTRIA, BELGIUM, BULGARIA, CANADA, CHILE, CHINA, COLOMBIA, CZECH REPUBLIC, EGYPT, FRANCE, GERMANY, GREAT BRITAIN, HUNGARY, INDIA, INDONESIA, ITALY, MALAYSIA, MEXICO, NETHERLANDS, PERU, POLAND, ROMANIA, SINGAPORE, SOUTH KOREA, SPAIN, SWITZERLAND, TAIWAN, THAILAND, TUNISIA, TURKEY, USA, VIETNAM

KOBOLD Instruments, Inc.
1801 Parkway View Drive
Pittsburgh, PA 15205
Main Office:
1.800.998.1020
1.412.788.4890
info@koboldusa.com
www.koboldusa.com



Description

The KOBOLD KPS and KAS pressure operated switches are built for industrial gas and low viscosity liquid applications. They are ideal for uses demanding a rugged design and provide excellent resistance to shock and vibration. Environmental protection is provided by an IP 67/ NEMA 6 enclosure. All conventional requirements for outdoor and indoor use are covered. Typical installations include: manufacturing plants, diesel units, compressors, power stations, and ships.



Specifications

KAS Contact Rating (SPDT)

- AC: Inductive, 250V, 0.1 A
- DC: 220V, 12 W

KPS Contact Rating (SPDT)

- AC: 440V, 6 A Inductive Load
440V, 10 A Resistive Load
- DC: 220V, 12 W

Pressure Fitting: 1/4" NPT via a Brass Adapter

Cable Fitting: IEC Pg 13.5
Cables 5 to 14 mm dia.

Wetted Parts: Brass, SS, Carbon Steel

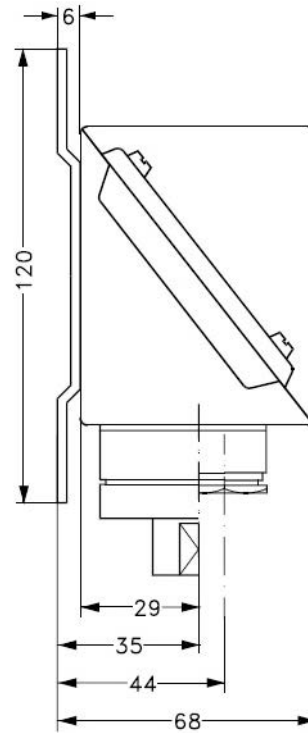
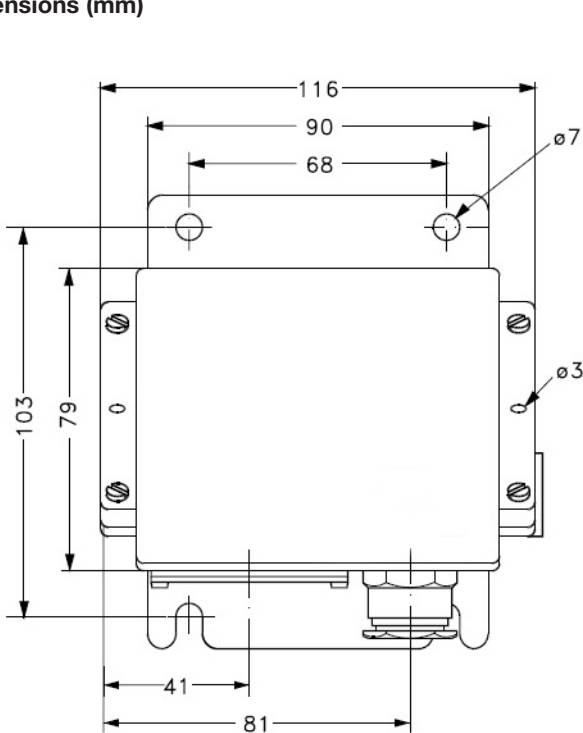
Repeatability: ±0.25% Full Scale

Approvals

- USA: American Bureau of Shipping*
- Japan: Nippon Kaiji Kyokai
- China: CCS, China Classification Society
- Russia: RMRS, Maritime Register of Shipping
- Germany: Germanischer Lloyd
- France: Bureau Veritas
- Italy: Registro Italiano Navale

* KAS-3153 and KPS-3107 Excluded

Dimensions (mm)





Order Details (Example: KAS-3122)

Model	Range (bar)	Hysteresis (bar) (Adjustable)	Maximum Pressure (bar)	Media Temperature Range*	Ambient Temperature Range
Standard Pressure Switches					
KPS-3110	0...2.5	0.1	6.0	-40...212 °F	-40...160 °F
KPS-3104	0...3.5	0.2	10	-40...212 °F	-40...160 °F
KAS-3150	0...3.5	0.1	10	-40...212 °F	-40...160 °F
KPS-3105	0...8.0	0.4...1.5	12	-40...212 °F	-40...160 °F
KPS-3108	0...8.0	0.4	12	-40...212 °F	-40...160 °F
KAS-3151	0...10	0.2	22	-40...212 °F	-40...160 °F
KAS-3152	6...18	0.3	27	-40...212 °F	-40...160 °F
KPS-3106	6...18	0.85...2.5	22	-40...212 °F	-40...160 °F
KAS-3153	10...35	0.6	53	-40...212 °F	-40...160 °F
KPS-3107	10...35	2.0...6.0	45	-40...212 °F	-40...160 °F
Pressure Switches for Strongly Pulsating Media					
KAS-3160	1.0...10	0.2...0.6	120	-13...212 °F	-13...160 °F
KPS-3120	1.0...10	0.7...2.8	120	-13...212 °F	-13...160 °F
KAS-3161	4.0...40	0.8...2.4	120	-13...212 °F	-13...160 °F
KPS-3121	4.0...40	2.2...11	120	-13...212 °F	-13...160 °F
KAS-3162	6.0...60	1.0...3.0	120	-13...212 °F	-13...160 °F
KPS-3122	6.0...60	3.5...17	120	-13...212 °F	-13...160 °F
Differential Pressure Switches					
KAS-3130	0.2...2.5	0.1	22	-13...212 °F	-13...160 °F

* For Water and Sea Water: Max. Temperature of 175 °F