



Cert. No. LRQ 0963008

ISO 9001

spirax sarco

TI-P357-01
CH Issue 4

PN5000 and PN6000 Series Pneumatic Actuator Spares

Spare parts

The spare parts available are shown in solid outline. Parts drawn in broken line are not supplied as spares.

These spares are for the PN5100 and PN6100 series single spring actuators. For PN5200, PN5300, PN5400, PN5500, PN5600, PN6200, PN6300, PN6400, PN6500 and PN6600 series multi-spring actuators see overleaf.

Available spares

Stem seal kit (Piston guide bearing and 'O' rings)	A, C, H
Diaphragm kit (Diaphragm, nyloc nut, washer and 'O' ring)	D, E, F, H
Travel indicator kit (2 off indicators)	G
Spring kit (Spring - includes 3 off longer Hex. head screws, washers and nuts on some spring ranges)	B, J

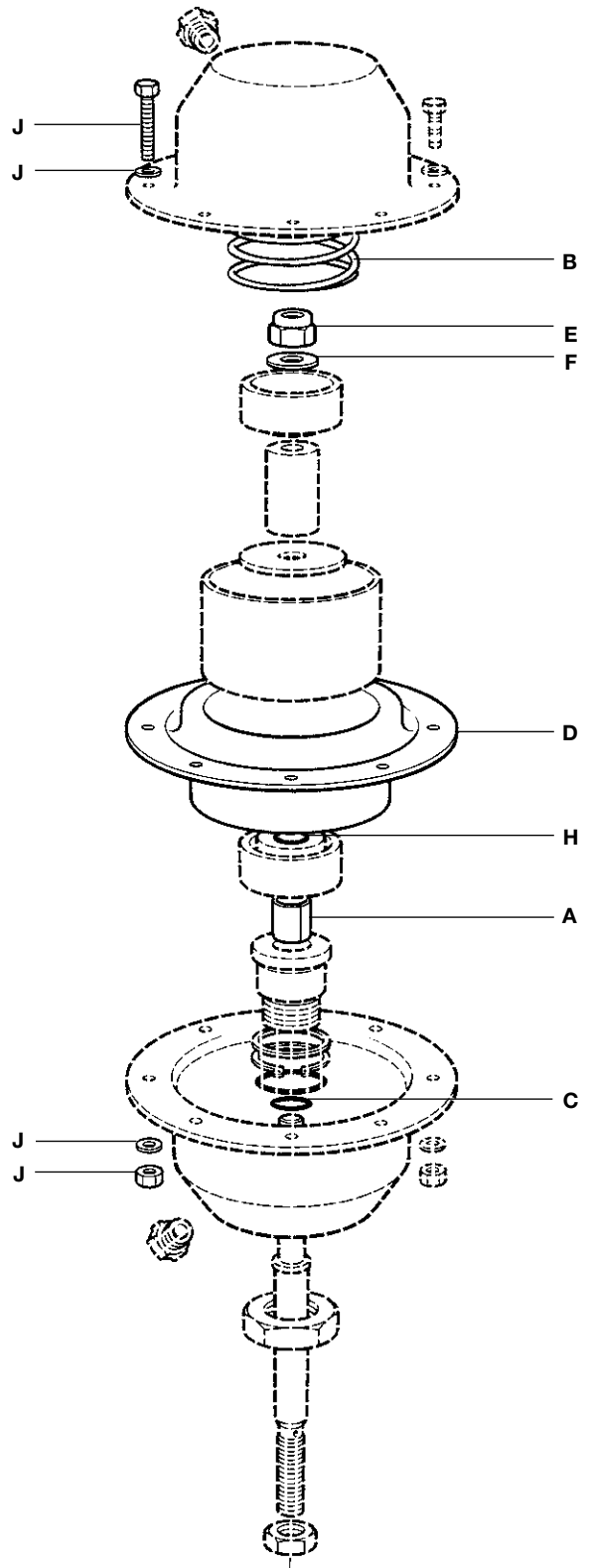
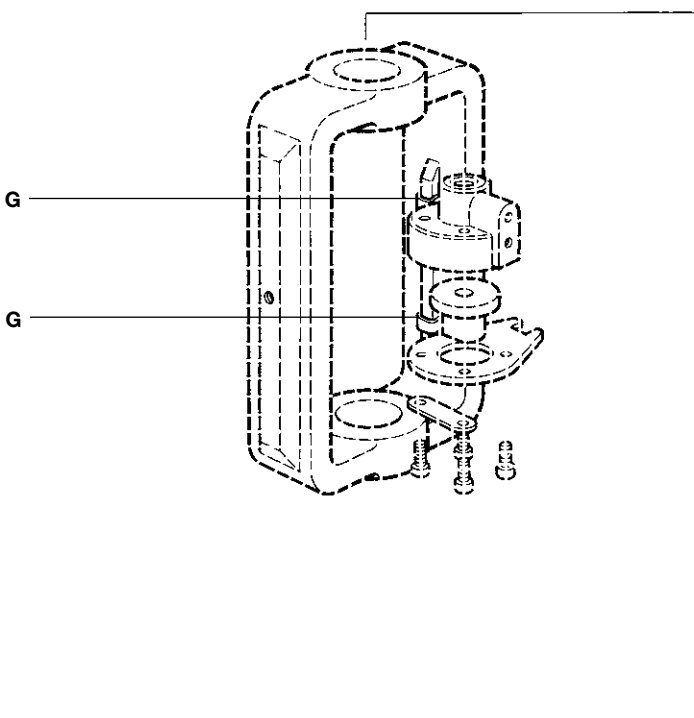
How to order spares

Always order spares by using the description given in the column headed 'Available spares' and state the actuator type.

Example: 1 - Stem seal kit for a PN5120 pneumatic actuator.

Safety information, installation and maintenance

For full details see the Installation and Maintenance Instructions supplied with the product.



Spare parts

The spare parts available are shown in solid outline. Parts drawn in broken line are not supplied as spares.

These spares are for the PN5200 and PN5300, PN5400, PN5500, PN5600, PN6200, PN6300, PN6400, PN6500 and PN6600 series multi-spring actuators.

For PN5100 and PN6100 series single spring actuators see overleaf.

Available spares

Stem seal kit (Piston guide bearing and 'O' rings)	A, C, H
Diaphragm kit (Diaphragm, nyloc nut, washer and 'O' ring)	D, E, F, H
Travel indicator kit (2 off indicators)	G
Spring kit (Set of springs - includes 3 off longer Hex. head screws, washers and nuts on some spring ranges)	B, J

How to order spares

Always order spares by using the description given in the column headed 'Available spares' and state the actuator type.

Example: 1 - Stem seal kit for a PN5220 pneumatic actuator.

Safety information, installation and maintenance

For full details see the Installation and Maintenance Instructions supplied with the product.

