

Universal Panel Meter



measuring
•
monitoring
•
analyzing

DAG-T4



- Universal Panel Meter in 96 x 48 mm Format
- Short Mounting Depth of 32 mm
- Universal Input for Process Signals, Thermocouples, Pt100
- 16 mm High, Red LED Display
- 2 Alarm Outputs as Relay
- Programming via Buttons or Software



KOBOLD companies worldwide:

ARGENTINA, AUSTRIA, BELGIUM, BULGARIA, CANADA, CHILE, CHINA, COLOMBIA, CZECH REPUBLIC, EGYPT, FRANCE, GERMANY, GREAT BRITAIN, HUNGARY, INDIA, INDONESIA, ITALY, MALAYSIA, MEXICO, NETHERLANDS, PERU, POLAND, ROMANIA, RUSSIA, SINGAPORE, SOUTH KOREA, SPAIN, SWITZERLAND, TAIWAN, THAILAND, TUNISIA, TURKEY, USA, VIETNAM

KOBOLD Instruments, Inc.
1801 Parkway View Drive
Pittsburgh, PA 15205
☎ Main Office:
1.800.998.1020
1.412.788.4890
✉ info@koboldusa.com
www.koboldusa.com

Description

The KOBOLD DAG-T4 is a versatile process indicator with a totalizing function. It can measure the majority of variables encountered in most industrial processes. It can accept many input types, including: thermocouples, thermo resistance, voltage, and current. It also offers two alarms (six functions), sensor offset, configuration of parameters protected by password, USB communication, and temperature indication in either °C or °F.

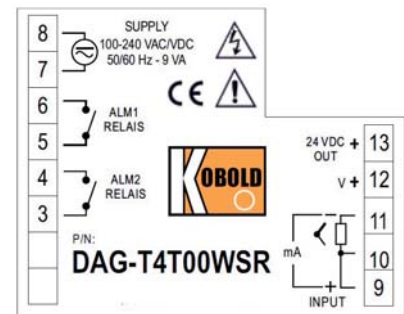


Specifications

Display: Red LED, 5-Digit, 16 mm Digits
Range Input: -1999...30000
Range Totalizer: 0...9999999999 (Alternating Display)
Indicators: Ten Red Indicators for Alarm Status, Communication, Totalizer Function, Min/Max Value
°C, °F: On, Depending on Temp. Range
A1, A2: On, When Alarm is Active
TOT: On, When Displaying Totalizer Value
HIGH: On, When Digit 6 to 10 is Displayed
LOW: On, When Digit 1 to 5 is Displayed
Buttons: 4 Front Keys for Programming and Setting Setpoints
Input Range: Setup of Input Signal via Buttons
Thermocouples: Type J, K, T, N, R, S, B, E; Internal Cold Junction
RTD: Pt100 in 3-wire Connection (Alpha = 0.00385)
Linear Inputs: 0 V...5/10 V, 0/4 mA...20 mA, 0 mV...50 mV
Accuracy
Type J, K, T, E: 0.25% of Span, ±1 °C
Type N, R, S, B: 0.25% of Span, ±3 °C
Pt100: 0.2% of Span
Linear Analog Input: 0.2% of Span
Resolution: Internal Resolution with 65535 Steps (16 bits), Display Resolution 32000 Steps
Measurement Rate: 55 Hz with Programmable Digital Filter
Input Impedance: Thermocouples, Pt100, 0...50 mV: >10 MΩ

Excitation: 24 VDC ± 15% @ 50 mA
Relay Outputs: 2 SPST Relays, 1.5 A @ 240 VAC/30 VDC
Supply: 100...240 VAC ± 10%, 50/60 Hz, 6 VA
Protection: IP 65 from the Front with Rubber Seal, IP 20 from the Back
Housing: Polycarbonate Plastic Case L94-V2, ABS & PC UI94 V-0 Back Panel
Dimensions: 96 mm W x 48 mm H x 35 mm D
 Panel Cut-out: 93.0 x 45.5 mm
Mounting: Plastic Clamps
Connection: Plug-in Terminal Blocks, 5 mm Pitch
Ambient Conditions: Operating Temperature: 0...50 °C; Relative Humidity: 80% RH @ 30 °C, for Temperatures above 30 °C, reduce RH by 3% for each °C

Connection Diagram



Order Details

| Model |
|--------------|
| DAG-T4T00WSR |

| Sensor Type | Measurement Range |
|-------------|---------------------------------|
| TC Type J | -166...1742 °F (-110...950 °C) |
| TC Type K | -238...2498 °F (-150...1370 °C) |
| TC Type T | -256...752 °F (-160...400 °C) |
| TC Type N | -454...2372 °F (-270...1300 °C) |
| TC Type R | -58...3200 °F (-50...1760 °C) |
| TC Type S | -58...3200 °F (-50...1760 °C) |
| TC Type B | 752...3272 °F (400...1800 °C) |
| TC Type E | -130...1346 °F (-90...730 °C) |
| RTD | -328...1562 °F (-200...850 °C) |