



# AirMist pneumatic atomizing nozzles

## Flat fan, pressurized liquid supply, external mix

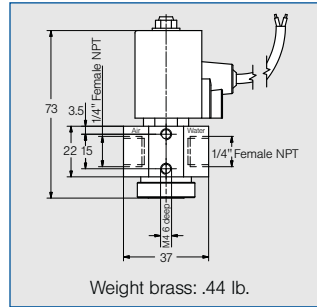
### Series 166.6



**Version with magnetic valve.**  
**Fine flat fan atomization**  
**with air or gas.**  
**Liquid pressure principle.**  
**External mixing of fluids.**

**Applications:**

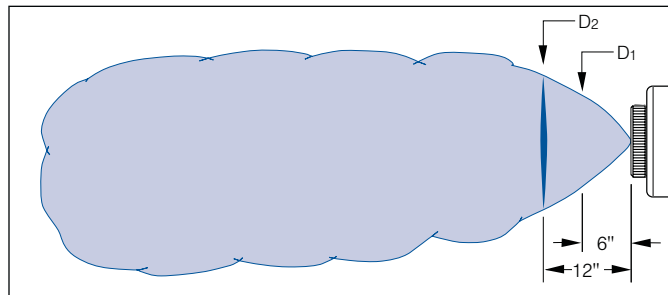
- Web dampening
- Cooling
- Humidification of goods
- Atomization of viscous liquids



**Series 166.6**

**Technical data:**

- Pressure: 0-90 PSI
- Voltage: 24 VDC
- Power: 8W
- Frequency: 500 per min.
- Enclosure rating: IP67
- Temperature: 50°-122°F
- Cable length: 40"
- Seal: EPDM



Additional flow rate data available upon request.

Pneumatic atomizing

Spray angle	Ordering no.	Maximum Free Passage (in.)	Liquid Flow GPH (Gallons Per Hour) at Indicated Liquid Pressure Air Flow SCFM (Standard Cubic Feet Per Minute)												Spray Dimensions			
			1 psi			2 psi			4 psi			5 psi			Air psi	Liq. psi	D1 (in.)	D2 (in.)
			Air psi	GPH	SCFM	Air psi	GPH	SCFM	Air psi	GPH	SCFM	Air psi	GPH	SCFM				
45°	166. 616. 16. B2	.016	12	.44	1.4	12	.64	1.4	12	.90	1.5	15	.97	1.6	20	1	3	5
			23	.51	2.2	20	.68	2.1	23	.93	2.2	26	1.0	2.4	32	2	4	5
			35	.55	2.9	32	.73	2.8	35	.96	2.9	38	1.0	3.1	46	3	4	5
			46	.58	3.6	44	.72	3.5	46	.96	3.6	49	1.0	3.8	58	4	4	6
			58	.59	4.3	58	.73	4.3	58	.97	4.3	61	1.0	4.5	73	5	4	6
	166. 654. 16. B2	.028	12	1.4	1.4	12	1.9	1.4	17	2.7	1.8	23	2.9	2.2	20	1	4	5
			23	1.5	2.2	23	2.0	2.2	29	2.7	2.5	35	3.0	2.9	32	2	4	6
			35	1.6	2.9	35	2.1	2.9	41	2.8	3.2	46	3.0	3.6	46	3	4	6
			46	1.7	3.6	46	2.1	3.6	52	2.8	3.9	58	3.0	4.3	58	4	4	6
			58	1.7	4.2	58	2.1	4.3	64	2.8	4.6	69	3.0	4.9	73	5	4	6
60°	166. 626. 16. B2	.016	12	.48	1.7	12	.66	1.7	12	.92	1.6	12	1.00	1.7	23	1	3	5
			23	.55	2.5	23	.71	2.5	23	.97	2.5	23	1.0	2.5	35	2	4	6
			35	.59	3.3	35	.75	3.3	35	.97	3.3	35	1.0	3.3	46	3	4	6
			46	.61	4.1	46	.76	4.1	46	1.00	4.1	46	1.1	4.1	58	4	4	6
			58	.63	4.9	58	.78	4.9	58	1.0	4.9	58	1.1	4.9	75	5	4	6
	166. 682. 16. B2	.059	15	5.9	4.4	20	7.6	5.5	26	11	6.5	29	12	6.9	23	1	4	6
			26	5.0	6.5	32	6.3	7.4	38	8.8	8.4	41	9.3	8.9	35	2	5	6
			38	4.5	8.3	44	5.6	9.3	49	7.5	10	52	8.0	11	46	3	5	6
			49	4.2	10	55	5.1	11	61	6.7	12	64	7.1	13	58	4	5	6
			61	4.2	12	67	4.9	13	73	6.1	14	75	6.4	15	75	5	5	7
	166. 691. 16. B2	.098	26	13	9.6	35	17	12	43	23	14	44	26	14	23	1	6	8
			38	13	13	46	16	15	55	21	17	55	23	17	35	2	6	8
			49	12	15	58	15	18	67	20	20	67	21	20	46	3	6	8
			61	11	18	70	14	20	78	18	23	78	20	22	58	4	6	8
			73	11	21	81	13	23	87	17	25	87	18	25	75	5	6	8
				78	10	23	87	12	25									

For various configurations to mount your pneumatic air nozzles, see the Lances and Nozzle Headers section beginning on page 145.

