

## Power Supply and Relay



measuring  
•  
monitoring  
•  
analyzing

### RL-5900



- Integrated Power Supply/Isolation Relay
- For Use With Dry Contacts or Transistor Switches
- 10 A Max. SPDT Relay
- 24 VDC Excitation at 120 mA Max.
- Compact and Convenient



KOBOLD companies worldwide:

ARGENTINA, AUSTRIA, BELGIUM, BULGARIA, CANADA, CHILE, CHINA, COLOMBIA, CZECH REPUBLIC, EGYPT, FRANCE, GERMANY, GREAT BRITAIN, HUNGARY, INDIA, INDONESIA, ITALY, MALAYSIA, MEXICO, NETHERLANDS, PERU, POLAND, ROMANIA, SINGAPORE, SOUTH KOREA, SPAIN, SWITZERLAND, TAIWAN, THAILAND, TUNISIA, TURKEY, USA, VIETNAM

KOBOLD Instruments, Inc.  
1801 Parkway View Drive  
Pittsburgh, PA 15205  
☎ Main Office:  
1.800.998.1020  
1.412.788.4890  
✉ info@koboldusa.com  
www.koboldusa.com

### Description

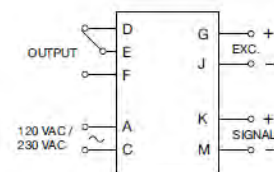
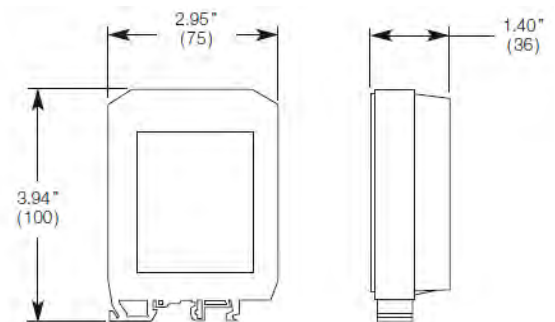
The RL-5900 is an integrated power supply and isolation relay designed to provide high current switching capacity and contact protection for primary switching devices such as reed contacts and transistors used on flow, pressure, level or temperature switches. Models are offered with either 110 VAC or 230 VAC input power and both provide a convenient 24 VDC, 120 mA power supply for sensor excitation and an integrated isolation relay rated for 10 amps at 240 VAC. All of these features, combined into a single, compact package, make the RL-5900 series an excellent standalone solution for both sensor and contact protection.



### Specifications

- Supply Voltage:** 110, 230 V<sub>AC</sub>
- Output:** SPDT Relay  
10 A @ 240 V<sub>AC</sub>  
8 A @ 24 V<sub>DC</sub>
- Input:** Dry Contact, NPN or PNP Open Collector,  
User Selectable  
(When Configured as PNP, the Output Relay is Energized Under Normal Conditions as Fail-Safe)
- Sink / Source Current:** 15mA Max.
- Excitation:** 24V<sub>DC</sub> (±2%) 120mA,  
Regulated, Fuse Protected
- Indicators:** LED Green - Power ON  
LED Red - Relay Energized
- Housing:** Molded Polyamide  
NEMA 1/ IP 20  
35mm DIN Rail Mountable
- Operating Range**
  - Temperature:** 0...130 °F
  - Humidity:** 0...95% RH

### Dimensions



### Order Details (Example: RL-5901)

Model Number	Supply Voltage
RL-5901	110 VAC
RL-5902	230 VAC
Accessory	
ACC-DINRAIL3X35	3" x 35mm piece of DIN Rail for mounting