

# Microprocessor Bargraph Display Panel Meter

for Visual Display of Tank Level



measuring  
•  
monitoring  
•  
analyzing

TLI



- 101-Segment LED Bargraph Display
- 24 VDC, 50 mA Sensor Excitation
- 4-Digit, 7-Segment LED Numeric Display
- Input Signal Boards Available for Monitoring mA, mV, AC and DC Voltages
- Output Boards with Isolated Analog Output and Relay Output
- 85-265 VAC or 18-36 VDC Switching Power Supply
- Optional Support for Volume Measurement of Non-linear Tanks
- Up to 6 Relay Outputs
- DIN 3/16 Chassis Size



KOBOLD companies worldwide:

ARGENTINA, AUSTRIA, BELGIUM, BULGARIA, CANADA, CHILE, CHINA, COLOMBIA, CZECH REPUBLIC, EGYPT, FRANCE, GERMANY, GREAT BRITAIN, HUNGARY, INDIA, INDONESIA, ITALY, MALAYSIA, MEXICO, NETHERLANDS, PERU, POLAND, ROMANIA, SINGAPORE, SOUTH KOREA, SPAIN, SWITZERLAND, TAIWAN, THAILAND, TUNISIA, TURKEY, USA, VIETNAM

KOBOLD Instruments, Inc.  
1801 Parkway View Drive  
Pittsburgh, PA 15205  
☎ Main Office:  
1.800.998.1020  
1.412.788.4890  
✉ info@koboldusa.com  
www.koboldusa.com



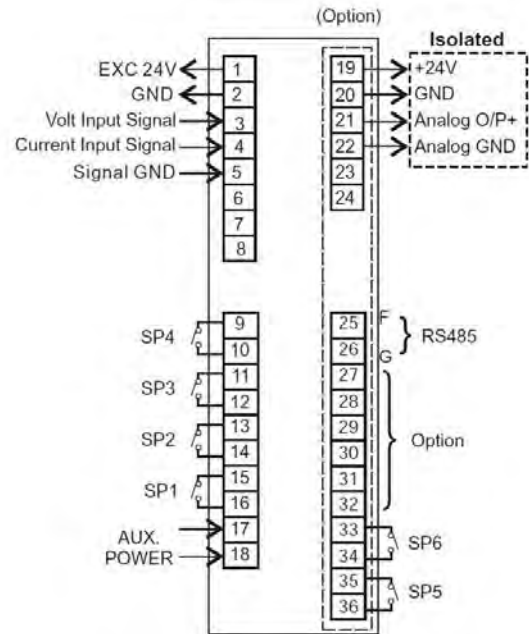
**Description**

The KOBOLD TLI controller and display is designed to allow remote visual representation, control, and numeric value display of tank level when used in conjunction with a suitable sensor producing a linear 4-20 mA current signal output. Several optional input signal variations are possible on all configurations. It utilizes a bright, highly visible 101-segment LED bargraph display and four, 7-segment numeric LEDs. It is completely configurable through the front touch pad. Up to six relay functions are user-selectable and are displayed via the LED set-point indicator. The TLI offers an optional 20-point value conversion for horizontally-mounted, cylindrical tanks. A repeating, (0)4-20 mA or 0-10V (jumper selectable) current output or RS-485 communication interface are available as options.

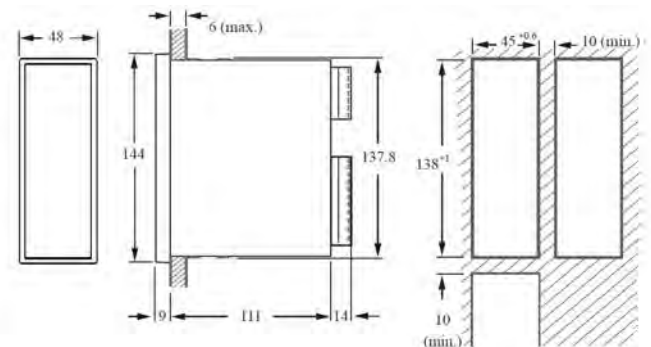
**Technical Details**

- Input Power:** 85-265 VAC or 18-36 VDC
- Sensor Excitation:** DC 24V, 50 mA max.
- Display:** 4-Digits, 0.36" 7-Segment Red LED Display  
101-Segment LED Bargraph
- Display Range:** -1999...+9999
- Over Range Display:** "1" or "-1"
- Input Signal:** 4-20 mA DC Analog
- Accuracy:** 0.1% FS or ± 1 Digit
- ADC Resolution:** 4-1/2 Digit
- Sampling Rate:** 2 Samples/Second
- Relay Contact:** Standard 4 Relays (Optional 6 Relays)  
3A / 250 VAC or 5A / 30 VDC, N.C. / N.O. (Jumper Selectable)
- Analog Output:** Optional 4-20 mA, 0-20 mA, and 0-10 V (Jumper Selectable)
- Communication Port:** Optional RS485 Modbus Protocol
- Operating Condition:** 0...50 °C (20-90% RH Non-Condensing)
- Storage Condition:** 0...70 °C (20-90% RH Non-Condensing)
- Dimensions:** 48 (W) x 144 (H) x 121.5 (D), DIN 3/16

**Terminal Arrangement**



**Dimensions (mm)**



**Order Details (Example: TLI-1471 T 01 4 0 0 0)**

Model	Power Supply	Input Signal	Relay Contact	Non-Linear Function	Analog Output	Communication
TLI-1471..	..S.. = 85-265 VAC ..T.. = 18-36 VDC	..01.. = 4-20 mA DC	..4.. = 4 Relays ..6.. = 6 Relays	..0.. = Without (Standard) ..1.. = Supports 20 Pt. Vessel Conversion	..0.. = Without ..2.. = 0/4-20 mA or 0-10V Output (Jumper Selectable)	..0 = Without ..1 = Supports RS485 Interface