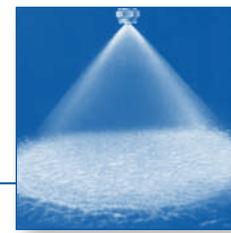




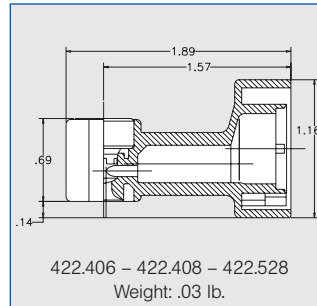
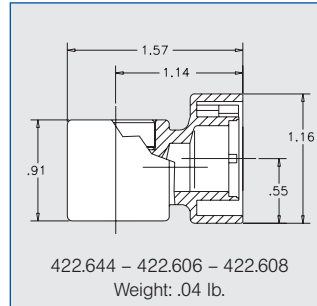
Full cone nozzles Tangential-flow TWISTLOC quick release mount Series 422



Bayonet PVDF nozzles mount by hand with a quick twist. Lechler's vaneless full cone design paired with a quick-disconnect offers an unbeatable combination where nozzles may need to be changed, cleaned, or inspected quickly.

Applications:

- Mist eliminator washing
- Critical cleaning operations
- Chemical reactors
- Scrubbers

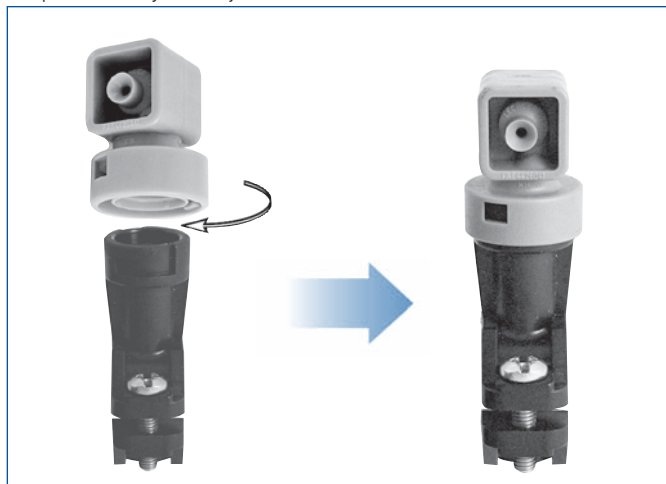


Full cone

Spray angle	Type	Ordering no.			Orifice diam. (in.)	Free passage (in.)	Flow Rate (Gallons Per Minute)						Spray Diameter D (in.) @ 40 psi	
		Mat. no.	Conn.											
				PVDF 5E			Polypro 53	10 psi	20 psi			liters per minute 2 bar	40 psi	60 psi
60°	422.644	-	KB	.114	.114	.62	.88	4.0	1.2	1.5	1.8	2.0	9	20
90°	422.406	○	KB	.059	.057	.16	.22	1.0	.31	.38	.44	.49	15	34
	422.606	○	KB	.102	.099	.49	.69	3.2	.98	1.2	1.4	1.6	15	34
120°	422.408	○	KB	.059	.057	.16	.22	1.0	.31	.38	.44	.49	27	48
	422.528	○	KB	.083	.079	.32	.44	2.0	.62	.76	.88	.98	27	48
	422.608	○	KB	.102	.099	.49	.69	3.2	.98	1.2	1.4	1.6	27	63

Example Type + Material no. + Conn. = Ordering no.
for ordering: 422.608 + 5E + KB = 422.608.5E.KB

Simple assembly – with just a twist



A listing of alternatives for various assembly possibilities is shown in the Accessories section beginning on page 123.

