



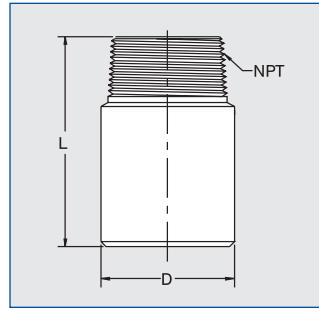
Full cone nozzles Axial-flow free spray Series 455



One-piece design generates large droplets and even distribution at a wide range of operating pressures.

Applications:

- High volume surface spraying
- Scrubbers
- Quench cooling
- Chemical processing



Dimensions (in.)			
Inlet (NPT)	L	D	Wt. (lb.)
Male			
2-1/2	6.06	3.75	3.5
3	6.31	3.87	6.5
Female			
2-1/2	6.06	3.75	3.5
3	6.31	3.87	6.5

Type	Ordering no.				Orifice diam. (in.)	Free Passage (in.)	Flow Rate (Gallons Per Minute)										Spray Angle in degrees @ 15 psi	
	Mat. no.	Connection		1 psi			2 psi	5 psi	7 psi	10 psi	15 psi	20 psi	liters per minute					
		316 SS 17	Male NPT										Female NPT	2.0 bar	40 psi	60 psi		
455. 556	○	BY	-	BZ	-	1.37	.44	31	49	70	95	115	143	166	729	230	286	94
455. 576	○	BY	-	BZ	-	1.50	.44	41	56	91	108	132	164	190	834	264	328	101
455. 586	○	BY	-	BZ	-	1.62	.44	44	61	99	118	142	175	205	900	284	350	99
455. 596	○	BY	-	BZ	-	1.75	.44	47	65	105	125	150	185	215	944	300	390	102
455. 606	○	BY	-	BZ	-	1.87	.44	50	71	112	132	160	195	225	988	320	450	100
455. 616	○	-	MA	-	MB	1.68	.56	59	83	130	153	183	222	255	1120	358	438	85
455. 626	○	-	MA	-	MB	1.76	.56	67	94	145	170	200	245	280	1229	390	482	90
455. 636	○	-	MA	-	MB	1.93	.56	78	109	168	196	233	282	322	1414	446	545	96
455. 646	○	-	MA	-	MB	2.06	.56	88	121	185	216	255	309	350	1537	485	592	98
455. 656	○	-	MA	-	MB	2.25	.56	96	132	200	235	277	332	380	1669	522	640	100
455. 666	○	-	MA	-	MB	2.31	.56	100	138	212	248	292	352	404	1774	555	674	100

This product line is also available in larger capacities with threaded inlets ranging from 4" through 8" in size. Please contact your local representative or Lechler if you have an application requiring a Free Spray nozzle in a larger size.

Example for ordering:	Type	+	Material no.	+	Conn.	=	Ordering no.
	455. 596	+	17	+	BY	=	455. 596. 17. BY

Additional Free Spray nozzles Series 485

In addition to the threaded Free Spray nozzles listed above, Lechler also offers comparable flange nozzles in the 485 series with inlets ranging up to 18" in size. Please contact your local representative or Lechler if you have an application requiring a Free Spray nozzle with a flange connection.

Spray pattern	Connection	Series	Spray angle	Flow rate range @ 10 psi	Approx. weight	Application
Full cone	Flange (typical) Socket weld Butt weld	485	Approx. 90°	260-5,880 gpm	19-450 lbs.	High volume surface spraying FGD scrubbers Cooling and quenching

