



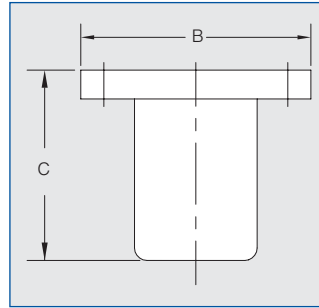
Full cone nozzles Flanged axial-flow free spray Series 485



One-piece design generates large droplets and even distribution at a wide range of operating pressures.

Applications:

- High volume surface spraying
- Cooling and quenching
- Fire protection
- Chemical processing
- Scrubbers



Nozzle Inlet Flange Conn. (in.)	Ordering no.	Orifice diam. (in.)	Flow Rate (Gallons Per Minute)										Spray Angle in degrees at			Dimensions (in.)		Free Passage (in.)	Approx. Wgt. (lb.)
			1 psi	2 psi	5 psi	7 psi	10 psi	15 psi	20 psi	liters per minute	40 psi	60 psi	3 psi	7 psi	15 psi	B	C		
										2 bar									
4	485. 646. 17. 04	2.25	90	125	191	222	260	318	360	1581	498	605	77	80	82	9.00	6.13	1.19	19
	485. 656. 17. 04	2.50	105	144	220	257	302	365	420	1844	578	700	86	90	91				
	485. 666. 17. 04	2.75	125	170	262	310	365	440	505	2218	702	860	88	92	94				
	485. 676. 17. 04	3.00	135	188	290	342	404	485	562	2468	784	950	91	95	97				
5	485. 676. 17. 05	2.75	135	188	290	342	404	485	562	2468	784	950	82	92	92	10.00	8.38	.69	42
	485. 686. 17. 05	2.84	145	201	310	365	430	521	602	2644	827	1005	85	92	95				
	485. 696. 17. 05	2.95	159	220	333	392	462	559	640	2811	881	1070	86	93	95				
	485. 706. 17. 05	3.15	180	249	382	441	516	618	709	3114	968	1150	88	94	98				
	485. 716. 17. 05	3.32	199	274	425	489	580	704	806	3540	1118	1345	84	90	94				
	485. 726. 17. 05	3.50	219	303	465	548	645	785	892	3918	1235	1495	86	92	97				
6	485. 716. 17. 06	3.25	199	274	425	489	580	704	806	3540	1118	1345	80	86	90	11.00	10.56	.97	54
	485. 726. 17. 06	3.40	219	303	465	548	645	785	892	3918	1235	1495	82	88	94				
	485. 736. 17. 06	3.62	241	333	520	602	710	860	978	4296	1355	1640	83	89	95				
	485. 746. 17. 06	3.87	265	366	560	656	774	935	1070	4700	1478	1770	86	892	98				
	485. 756. 17. 06	4.12	285	400	628	735	870	1065	1225	5381	1710	2100	87	94	96				
	485. 766. 17. 06	4.62	310	435	675	795	950	1158	1325	5820	1870	2280	88	94	98				
8	485. 736. 17. 08	3.50	268	370	555	650	760	915	1030	4524	1420	1700	63	70	70	13.47	12.25	1.31	98
	485. 756. 17. 08	3.93	330	455	700	820	960	1150	1315	5776	1800	2150	80	87	90				
	485. 776. 17. 08	4.43	417	575	860	995	1160	1380	1575	6918	2120	2535	90	100	102				
	485. 786. 17. 08	5.12	478	660	990	1140	1335	1590	1800	7906	2450	2925	82	96	101				

Nozzle Inlet Flange Conn. (in.)	Ordering no.	Orifice diam. (in.)	Flow Rate (Gallons Per Minute)									Spray Angle in degrees at			Dimensions (in.)		Free Passage (in.)	Approx. Wgt. (lb.)	
			1 psi	2 psi	4 psi	5 psi	7 psi	10 psi	15 psi	liters per minute	20 psi	25 psi	1 psi	2 psi	3 psi	B			C
											2 bar								
10	485. 806. 17. 10	5.00	520	730	1030	1150	1370	1630	2000	8785	2300	2580	85	87	90	16.00	17.00	1.75	140
	485. 826. 17. 10	5.56	640	900	1270	1410	1660	2000	2450	10762	2850	3020	85	87	90				
	485. 836. 17. 10	6.00	760	1070	1510	1680	2000	2400	2930	12870	3360	3760	85	87	90				
12	485. 846. 17. 12	6.21	810	1140	1610	1780	2130	2550	3120	13705	3560	3980	85	87	90	19.00	20.00	2.06	200
	485. 856. 17. 12	6.59	890	1270	1790	2000	2370	2828	3460	15198	4000	4470	85	87	90				
	485. 866. 17. 12	7.06	1040	1460	2060	2300	2720	3250	4000	17570	4650	5200	85	87	90				
	485. 876. 17. 12	7.40	1130	1600	2260	2530	2990	3580	4380	19240	5060	5650	85	87	90				
16	485. 896. 17. 16	8.00	1350	1890	2660	2980	3510	4200	5150	22622	5940	6650	85	87	90	23.50	22.00	2.75	330
	485. 916. 17. 16	9.25	1690	2400	3390	3800	4500	5380	6580	28904	7600	8490	85	87	90				
18	485. 936. 17. 18	10.7	2220	3140	4450	4970	5880	7030	8610	37821	9940	1110	85	87	90	25.00	28.75	2.75	450