



TI-P128-02
 ST Issue 8

PC3_ Pipeline Connectors

Description

The PC3_ range of pipeline connectors have been designed for use with swivel connector steam traps. The PC3_ is a pipeline connector with one integral stop valve which isolates upstream of the steam trap. The stop valve is a piston type. The PC3_ is available with optional connections (BDV1 and/or BDV2) for the draining of upstream pipework and trap venting upstream of the steam trap - See 'Optional extras'.

Optional extras (see TI-P600-01 for further details)

BDV1 blowdown valve is available for the draining of upstream pipework during operation. Care should be taken when using the BDV1 blowdown valve as the discharge may be hot.

BDV2 depressurisation valve is available to provide side connection discharge, generally to be used as a vent for top pipe mounting or for line depressurisation, to ensure discharge is piped to grade/atmosphere.

Standards

These products fully comply with the requirements of the European Pressure Equipment Directive 97/23/EC.

Certification

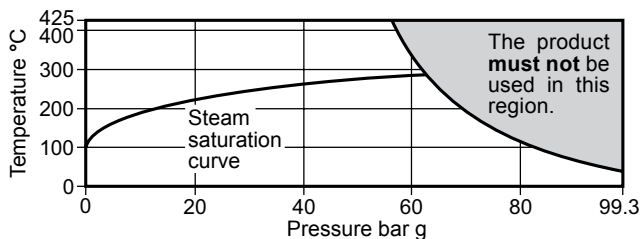
These products are available with certification to EN 10204 3.1. **Note:** All certification/inspection requirements must be stated at the time of order placement. For other certification contact Spirax Sarco.

Sizes and pipe connections

DN15 and DN20 condensate inlet/outlet connections are available in screwed BSP or NPT and socket weld ends to ASME B16.11 class 3000. Drainage and venting connections are available in DN15 screwed BSP or NPT and socket weld connections for use with BDV1 or BDV2 valves.

Flanged versions are also available upon request. Please contact Spirax Sarco for further details.

Pressure/temperature limits



Notes:

- If flange connections are fitted then these will limit the maximum design conditions of the pipeline connector.
- The maximum operating limits of the complete assembly will be dictated by the steam trap of choice. Reference the specific steam trap technical information sheet for its 'Pressure/temperature limits'.

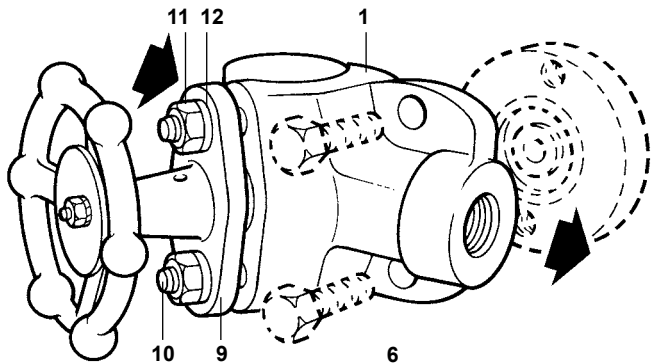
Body design conditions		ASME class 600
PMA	Maximum allowable pressure	99.3 bar g @ 38°C
TMA	Maximum allowable temperature	425°C @ 56 bar g
PMO	Maximum operating pressure for saturated steam service	62 bar g
TMO	Maximum operating temperature	425°C @ 56 bar g

Designed for a maximum cold hydraulic test pressure of 150 bar g

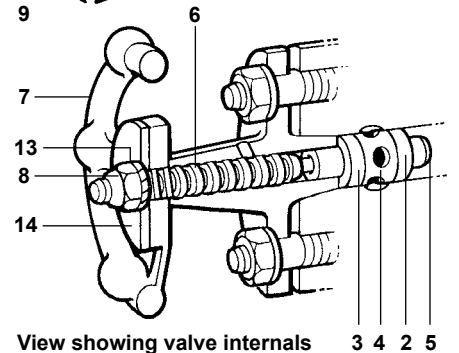
K_v value: Both the DN15 and DN20 have a K_v value of K_v 1.8
For conversion: C_v (UK) = K_v x 0.963 C_v (US) = K_v x 1.156

Available types For piping installation diagrams see TI-F01-37.

Flow direction	Type	Description
Left to right	PC33	1 stop valve + upstream line drain for a BDV1 or BDV2
Right to left	PC34	and trap vent connection for BDV2
Universal -	PC30	1 stop valve
Both: left to right or right to left	PC35	1 stop valve + upstream line drain connection either side of the body for BDV1 or BDV2. It is necessary to plug one connection. This must always be the top connection.



PC30 shown

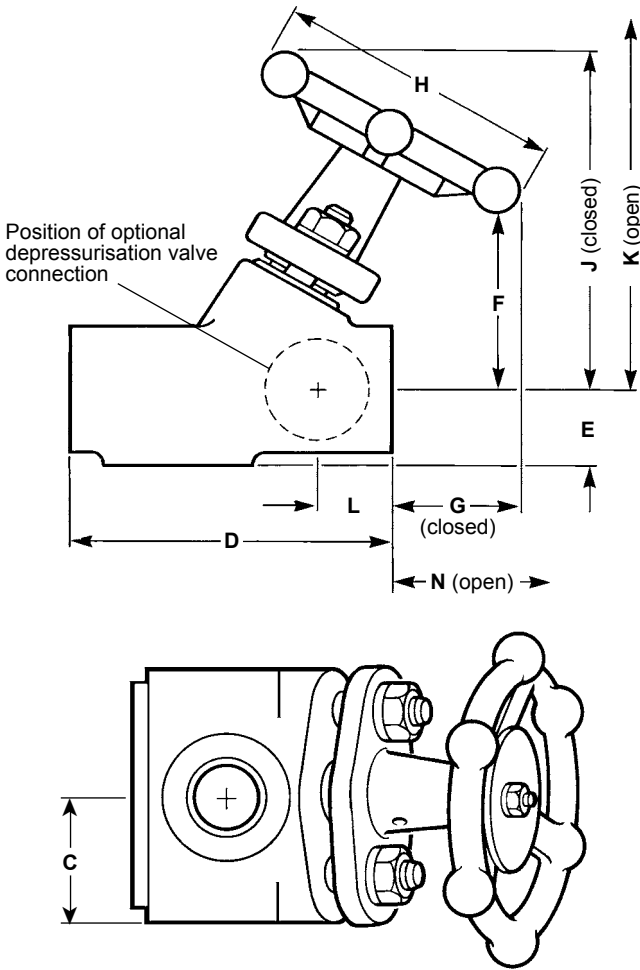


Materials

No. Part	Material
1	Body Austenitic stainless steel ASTM A182 F304/304L
2	Lower ring Graphite and stainless steel
3	Upper ring Graphite and stainless steel
4	Lantern bush Steel UNI 4838 CF95 SmN Pb36
5	Piston Stainless steel ASTM A479 F316
6	Spindle Steel ASTM A479 F410
7	Handwheel Carbon steel ASTM A105N
8	Handwheel nut Stainless steel and nylon insert
9	Bonnet Carbon steel ASTM A105N
10	Studs Steel (ENP) ASTM A193-B7
11	Nuts Steel (ENP) ASTM A194-2H
12	Washers Steel
13	Washer Steel
14	Name-plate Stainless steel

Dimensions / weight (approximate) in mm and kg

C	D	E	F	G	H	J	K	L	N	Weight
36	90	25	50	35	90	99	115	22	50	2



Installation

General

There are two criteria which must be satisfied to ensure that the swivel connector trap will operate correctly and ensure effective condensate removal:

1. The PC3_ shall be installed with flow in the direction of the arrow. Flow can be horizontal (left to right or right to left), vertical or inclined.
2. The connection face for the swivel connector steam trap must be in the vertical plane.

Ensure that there is sufficient access to the handwheel to allow proper operation.

After installation it is recommended that the pipeline connector is insulated to minimise radiated heat losses and to protect personnel from burns risk: **Please note** that some steam trap types should not be insulated.

Optional BDV1 and/or BDV2

If the optional BDV1 and/or BDV2 is being fitted to your application for line drain or trap vent, consideration must be given to the position of the discharge - See TI-P600-01 for further information.

The discharge must be directed or piped to a safe place where it will not injure personnel nor damage plant.

The BDV1 provides straight through discharge, generally used as a line drain or trap test valve where discharge is directed to grade.

The BDV2 provides a side connection discharge, generally used as a trap vent or to ensure discharge is piped to grade.

Maintenance

For detailed Installation and Maintenance Instructions see IM-P128-06, which is supplied with the product.

Disposal

This product is recyclable. No ecological hazard is anticipated with the disposal of this product, providing due care is taken.

How to order

Example: 1 off Spirax Sarco PC30 pipeline connector having a forged austenitic stainless steel body with one integral piston valve and DN15 socket weld connections to ASME B 16.11 Class 3000.

Note: Where BDV1 or BDV2 valves are to be fitted they must be ordered separately - See TI-P600-01.

Spare parts

The spare parts available are shown in heavy outline. Parts drawn in broken line are not supplied as spares. For ease of replacement an extractor tool is available for removing the sealing rings.

Available spares



Sealing ring set	2, 3
Valve internals set	2, 3, 4, 5, 6, 8, 13
Extractor tool	Not shown

How to order spares

Always order spares by using the description given in the column headed 'Available spares' and state type and size of equipment.

Example: 1 off Sealing ring set for integral piston valve on a PC3_ pipeline connector having DN15 socket weld connections.

Recommended tightening torques

Item	 or 	N m
11	14 $\frac{5}{16}$ x 18 UNC	10.0
8	10 M6	0.1

Safety information

Pressure

Before attempting any maintenance, consider what is or may have been in the pipeline. Ensure that any pressure is isolated and safely vented to atmospheric pressure before attempting to maintain the steam trap. This is easily achieved by fitting Spirax Sarco depressurisation valves types BDV1 and BDV2 (see separate literature for details). Do not assume that the system is depressurised even when a pressure gauge indicates zero.

Temperature

Allow time for temperature to normalise after isolation to avoid the danger of burns and consider whether protective clothing (including safety glasses) is required.

Isolation

Consider whether closing isolating valves will put any other part of the system or personnel at risk. Dangers might include; isolation of vents, protective devices or alarms. Ensure isolation valves are turned off in a gradual way to avoid system shocks.

