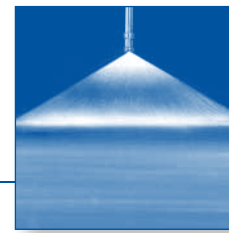




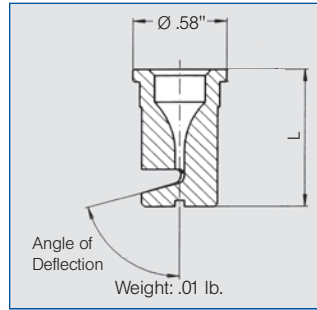
Flat fan nozzle tips Tongue-type deflector wide angle Series 684



Deflector produces moderate impact with a very wide spray angle. Clog resistant. Even distribution. Assembles with 3/8" retaining nut.

Applications:

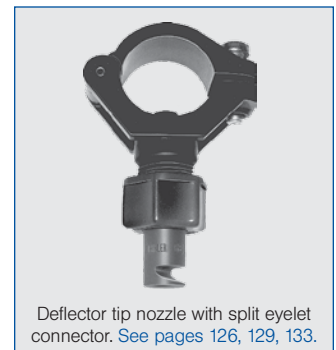
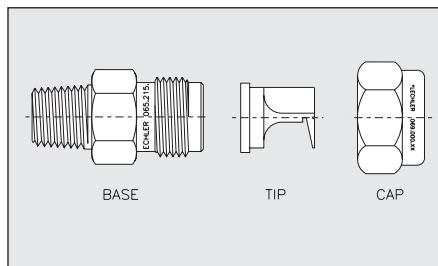
- Foam control for storage tanks, wastewater treatment plants
- Dust suppression
- Light washing
- Spray cooling
- Degreasing and phosphating



Spray angle	Deflector angle	Ordering no.		Color for version 56 POM *version 5E PVDF is blue	Orifice diam. (in.)	Flow Rate (Gallons Per Minute)								Length (L) (in.)	Spray Width B (in.) @ 30 psi 	
		Type	Material no.			10 psi	20 psi	liters per minute 2 bar	30 psi	40 psi	60 psi	80 psi	100 psi			
			56													5E
140°	75°	684. 348	○	-	Green	.028	.08	.11	.50	.13	.16	.19	.22	.25	.8	54
		684. 368	○	○	Yellow	.032	.10	.14	.63	.17	.20	.24	.28	.31	.8	54
		684. 408	○	-	Blue	.039	.16	.22	1.0	.27	.31	.38	.44	.49	.8	54
		684. 448	○	-	Red	.047	.19	.27	1.3	.35	.39	.48	.55	.61	.8	54
		684. 488	○	○	Brown	.051	.25	.35	1.6	.43	.50	.61	.70	.78	.8	54
		684. 528	○	-	Grey	.059	.31	.44	2.0	.54	.62	.76	.88	.98	.8	54
		684. 568	○	○	White	.067	.39	.55	2.5	.67	.78	.95	1.1	1.2	.7	54
		684. 608	○	-	Light blue	.075	.49	.69	3.2	.86	.98	1.2	1.4	1.5	.7	54
		684. 688	○	-	Green	.095	.78	1.1	5.0	1.3	1.6	1.9	2.2	2.5	.7	54
		684. 728	○	○	Black*	.106	.98	1.4	6.3	1.7	2.0	2.4	2.8	3.1	.7	54
		684. 808	○	-	Purple	.134	1.6	2.2	10.0	2.7	3.1	3.8	4.4	4.9	.6	54

Bases and Caps for Mounting

Inlet NPT Male	Outlet Male	Part No.	Standard Materials: 17 316 SS 30 Brass
1/4"	11/16 x 16	065. 215. XX. 10	
3/8"	11/16 x 16	065. 211. XX. 10	
1/4"	3/8 BSPP	065. 215. XX. 11	
3/8"	3/8 BSPP	065. 215. XX. 12	
Caps			Other materials available. See Accessories beginning on page 123.
To fit 11/16x16		069. 000. XX. 00	
To fit 3/8 BSPP		065. 200. XX. 00	



Example for ordering: Type 684. 608 + Material no. 56 = Ordering no. 684. 608. 56

A listing of alternatives for various assembly possibilities is shown in the Accessories section beginning on page 123.

