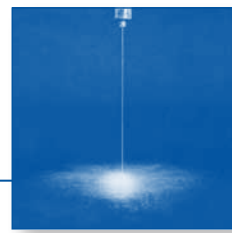


## Solid stream nozzles Needle jet Series 599



**This series is designed for use on high pressure showers.**

**Applications:**

- Paper production
- High pressure cleaning

For longer service life, we offer this nozzle with a ruby orifice. The ruby insert resists wear and maintains a precise stream longer than stainless steel.

The alternate version, with the clog preventer, is designed for installing on showers without self-cleaning features. When the nozzle is spraying down, the extension draws fresh water from the shower above the sediment level.

**Materials:**

599.009.17: 316 SS

599.009.8J: 316 SS

Orifice: Ruby

599.028.17: 316 SS



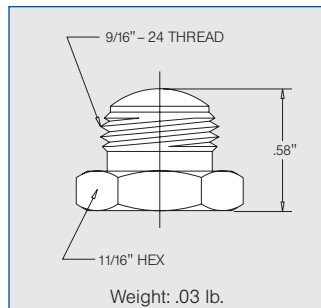
Series 599.009.17



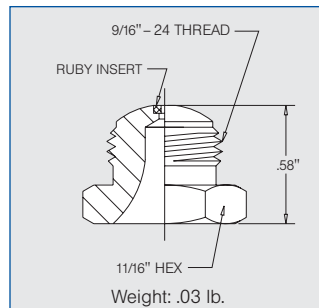
Series 599.009.8J



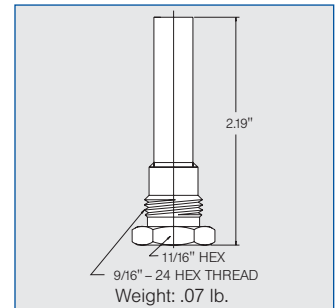
Series 599.028.17



Weight: .03 lb.



Weight: .03 lb.



Weight: .07 lb.

Ordering no.			Orifice Diameter
Standard Nozzle	Standard with Ruby Orifice	Clog Resistant	
<b>599.009.17.00.14</b>	<b>599.009.8J.00.14</b>	<b>599.028.17.00.14</b>	.014" (0.36 mm)
<b>599.009.17.00.28</b>	<b>599.009.8J.00.28</b>	<b>599.028.17.00.28</b>	.028" (0.71 mm)
<b>599.009.17.00.33</b>	<b>599.009.8J.00.33*</b>	<b>599.028.17.00.33</b>	.033" (0.84 mm)
<b>599.009.17.00.40</b>	<b>599.009.8J.00.40</b>	<b>599.028.17.00.40</b>	.040" (1.0 mm)
<b>599.009.17.00.55</b>	<b>599.009.8J.00.55</b>	<b>599.028.17.00.55</b>	.055" (1.40 mm)
<b>599.009.17.00.70</b>	<b>599.009.8J.00.70**</b>	<b>599.028.17.00.70</b>	.070" (1.78 mm)
<b>599.009.17.00.94</b>	<b>599.009.8J.00.94</b>	<b>599.028.17.00.94</b>	.094" (2.39 mm)
<b>599.009.17.01.25</b>	<b>599.009.8J.01.25</b>	<b>599.028.17.01.25</b>	.125" (3.18 mm)

\* Actual orifice diameter of this ruby orifice nozzle is .032".

\*\* Actual orifice diameter of this ruby orifice nozzle is .073".

Solid stream

