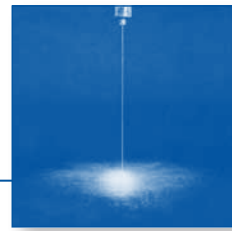




Solid stream nozzles
High pressure
Series 599



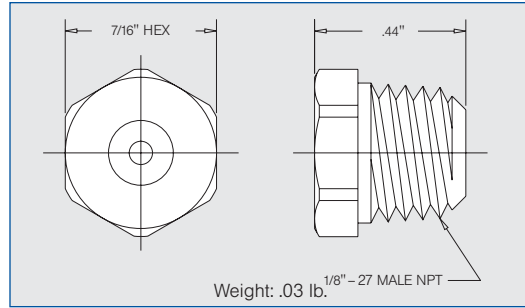
For tight clearance installation, these small nozzles create a very precise, collimated stream at a wide range of pressures. The rear orifice position helps minimize clogging and facilitates cleaning.

Applications:

- Paper production
- High pressure cleaning

Material:

316 SS



Ordering no.	Orifice Diameter
599.040.17.00.15	.015" (0.38 mm)
599.040.17.00.25	.025" (0.64 mm)
599.040.17.00.31	.031" (0.79 mm)
599.040.17.00.40	.040" (1.0 mm)