



Air or saturated steam nozzles

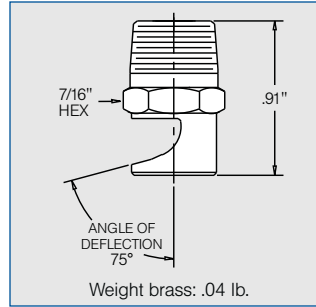
Deflector

Series 686

Wide-angle, powerful air jet.

Applications:

- Blowing off liquids
- Cooling
- Reheating
- Drying



Spray angle	Ordering no.				Orifice diam. (in.)	Capacity for Air (Standard Cubic Feet per Minute)						Capacity for Saturated Steam (lb/hr)					
	Type	Mat. no.		Conn.		10 psi	20 psi	40 psi	60 psi	80 psi	100 psi	10 psi	20 psi	40 psi	60 psi	80 psi	100 psi
		316 SS 17	Brass 30														
70°	686. 408	○	○	BA	.039	.4	.5	.8	1.1	1.4	1.7	1.8	2.4	3.5	4.6	5.7	6.6
	686. 488	○	○	BA	.051	.6	.9	1.4	1.9	2.4	2.9	2.6	3.7	5.7	7.5	9.3	11
	686. 528	○	○	BA	.059	.9	1.1	1.9	2.5	3.2	3.8	3.5	5.1	7.5	10	12	14
	686. 568	○	○	BA	.067	1.0	1.5	2.4	3.4	4.2	5.0	4.6	6.6	10	13	16	19
	686. 608	○	○	BA	.075	1.3	1.8	3.0	4.2	5.2	6.2	5.7	8.2	13	17	20	24
	686. 688	○	○	BA	.094	2.2	2.9	4.7	6.6	8.3	9.9	9.0	13	20	26	32	37
	686. 728	○	○	BA	.106	4.0	5.0	7.9	11	14	17	9.9	16	24	32	39	47
	686. 808	○	○	BA	.134	6.1	8.0	13	18	23	27	16	25	39	50	62	74

Example Type + Material no. + Conn. = Ordering no.
for ordering: 686. 408 + 17 + BA = 686. 408. 17. BA

A listing of alternatives for various assembly possibilities is shown in the Accessories section beginning on page 129.

