

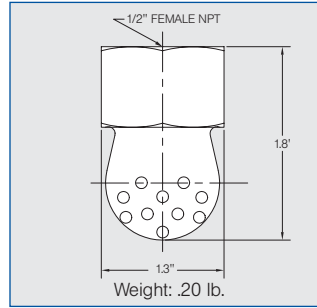
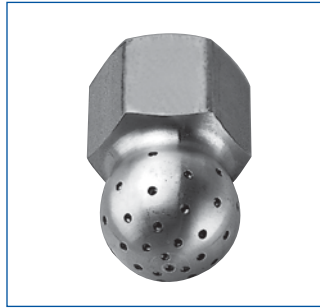


**Air or saturated steam nozzles**  
**Cluster solid stream**  
**Series 540 / 541**

**Powerful air jet with 40 individual bore holes.**

**Applications:**

- Injection of steam into liquids
- Injection of compressed air into bulk goods
- Gas injection (acid and neutralization baths)



Spray angle	Ordering no.			Orifice diam. (in.)	Capacity for Air (Standard Cubic Feet per Minute)				Capacity for Saturated Steam (lb/hr)			
	Type	Mat.no.			15 psi	29 psi	44 psi	73 psi	15 psi	29 psi	44 psi	73 psi
		16	303 SS									
240°	540. 909	○	BH	.032	13.4	20.1	26.8	40.2	39.9	15.8	20.9	31.1
	540. 989	○	BH	.039	20.9	31.4	41.8	62.7	62.2	24.5	32.4	48.1
	541. 109	○	BH	.059	49.0	73.5	98.0	147.0	145.5	57.5	76.2	112.8
	541. 189	○	BH	.079	76.3	114.5	152.6	229.0	227.1	89.8	118.7	134.8
	541. 239	○	BH	.091	98.4	147.6	196.8	295.2	293.7	116.1	153.5	227.5

**Example for ordering:** Type + Material no. + Conn. = Ordering no.  
 540. 909 + 16 + BH = 540. 909. 16. BH

For various configurations to mount your tank cleaning nozzle, see the Lances and Nozzle Headers section beginning on page 137.

