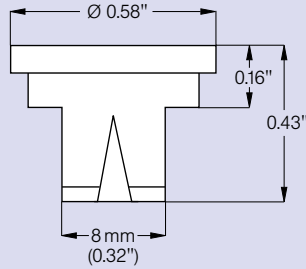


OC off center flat spray nozzles (small sizes)

Spray angle: 90°
Material: Brass, Stainless Steel upon request

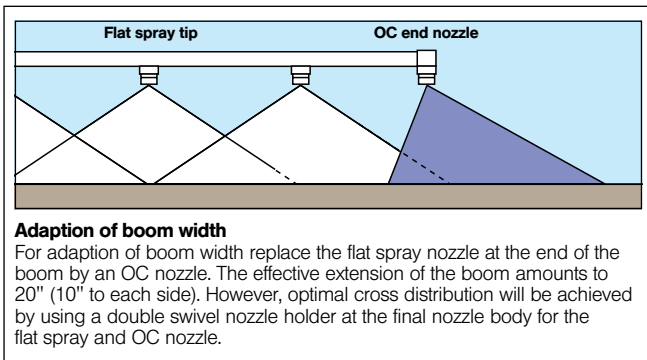
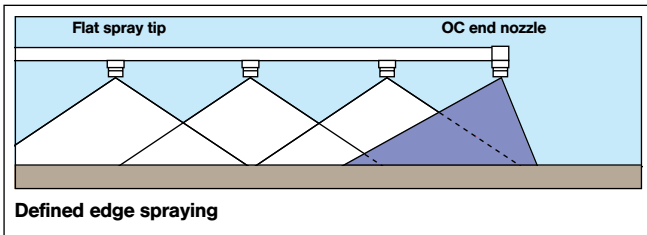
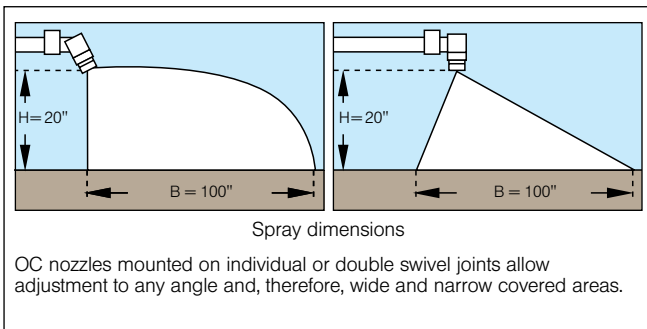


Features

- Asymmetrical 90° flat spray nozzle
- Ideal for banding, underleaf applications, boom end spray patterns
- **Medium drift potential**
- Best performance range 30-75 psi
- ISO coded for agricultural standards
- Minimal clogging
- Choose 8 mm cap, part number Y8253048 series

Range of application

Herbicides, fungicides, insecticides, plant growth regulators, and liquid fertilizer



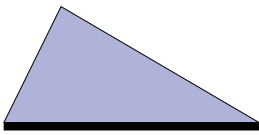
Sample order

Type + material = order number
OC 2 Brass = OC 2 Brass
OC 2 S (Stainless Steel) = OC 2 S

Nozzle	psi	Nozzle capacity gpm	Spray width in inches	Gallons/Acre 18" spraying height		
				3 mph	4 mph	5 mph
OC 90-02 (50 M)	30	0.17	68	5.0	3.7	3.0
	40	0.20	70	5.7	4.2	3.4
	60	0.24	72	6.6	5.0	4.0
	75	0.27	73	7.6	5.9	4.5
OC 90-03 (50 M)	30	0.26	77	6.7	5.0	4.0
	40	0.30	80	7.4	5.6	4.5
	60	0.37	82	8.9	6.7	5.4
	75	0.43	83	10.1	7.6	5.9
OC 90-04 (50M)	30	0.35	91	7.6	5.7	4.6
	40	0.40	93	8.5	6.4	5.1
	60	0.49	94	10.3	7.7	6.2
	75	0.57	95	11.7	8.7	7.1
OC 90-05 (50 M)	30	0.44	95	9.0	6.8	5.4
	40	0.50	97	10.2	7.6	6.1
	60	0.61	98	12.3	9.2	7.4
	75	0.71	99	13.9	10.1	8.4
OC 90-06 (50 M)	30	0.52	99	10.4	7.8	6.2
	40	0.60	101	11.8	8.8	7.1
	60	0.73	102	14.2	10.6	8.5
	75	0.84	103	16.1	11.5	9.7
OC 90-08 (50 M)	30	0.69	100	13.7	10.2	8.2
	40	0.80	102	15.5	11.6	9.3
	60	0.98	104	18.7	14.0	11.2
	75	1.13	105	21.2	15.9	12.7
OC 90-12 (30 M)	30	1.04	102	20.0	15.1	12.1
	40	1.20	104	23.0	17.1	13.7
	60	1.47	105	28.0	21.0	16.6
	75	1.69	106	32.0	23.0	18.9

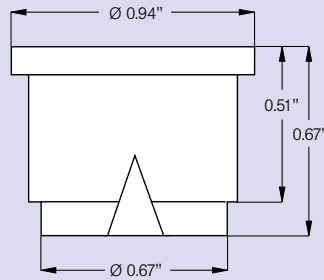
- Application data valid for water
- Gauge the nozzle flow rates prior to each spraying season
- Spray pressure at the nozzle tip (gauged with a diaphragm valve)

Nozzle size in boom (LU / ST)	Recommended OC-end nozzle	
	Adaption of boom width	Defined edge spraying
-015	OC 2	-
-02	OC 3	OC 2
-03	OC 4	OC 3
-04	OC 5	OC 4
-05	OC 6	OC 5
-06	OC 8	OC 6
-08	OC 12	OC 8



OC off center flat spray nozzles (large sizes)

Spray angle: 90°
Material: Brass



Features

- Asymmetrical 90° flat spray nozzle
- Ideal for banding, underleaf applications, boom end spray patterns
- **Medium drift potential**
- Best performance range 30-70 psi
- ISO coded for agricultural standards
- Minimal clogging
- Choose 8 mm cap, part number Y8253048 series

Range of application

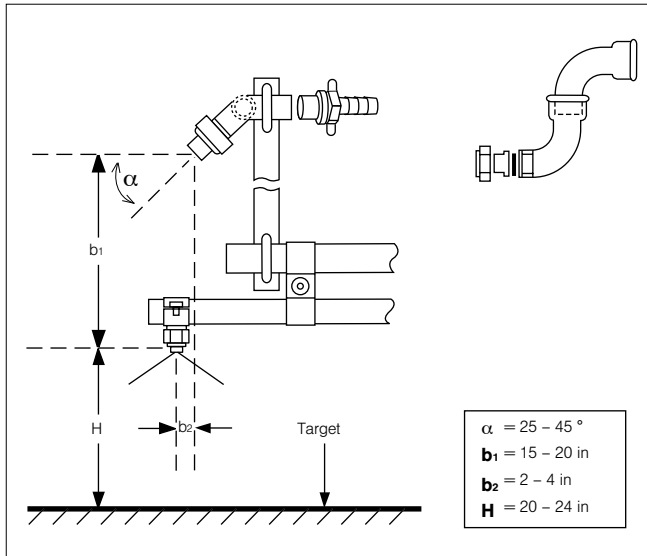
Boom irrigation

Mounting/adjusting of boom-sprayer nozzles

The OC nozzle can be mounted at the end of the boom in many different ways. Take care to ensure that the

implement has a sufficiently powerful pump, because a pair of wide-angle nozzles consume 21 gpm.

Plumbing example:



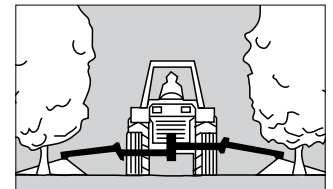
Nozzle	psi	Nozzle capacity gpm	Spray width in inches	Gallons/Acre		
				36" spraying height		
				5 mph	10 mph	15 mph
OC 90-20 (30 M)	30	1.73	282	7.3	3.6	2.4
	40	1.99	294	8.1	4.0	2.7
	60	2.45	296	9.9	5.0	3.3
	75	2.65	298	11.2	5.7	3.7
OC 90-30 (30 M)	30	2.59	296	10.1	5.1	3.4
	40	3.00	302	11.4	5.6	3.8
	60	3.69	304	13.9	7.0	4.6
	75	4.20	306	15.1	7.7	5.0

- Application data valid for water
- Gauge the nozzle flow rates prior to each spraying season
- Spray pressure at the nozzle tip (gauged with a diaphragm valve)

Spraying range/effective working width

The spraying range is a function of the setting angle α :

Setting angle α	Spraying range circa (in)
25°	350"
30°	335"
35°	315"
40°	235"
45°	215"



Banding in orchards/vineyards



Underleaf spraying in row crops