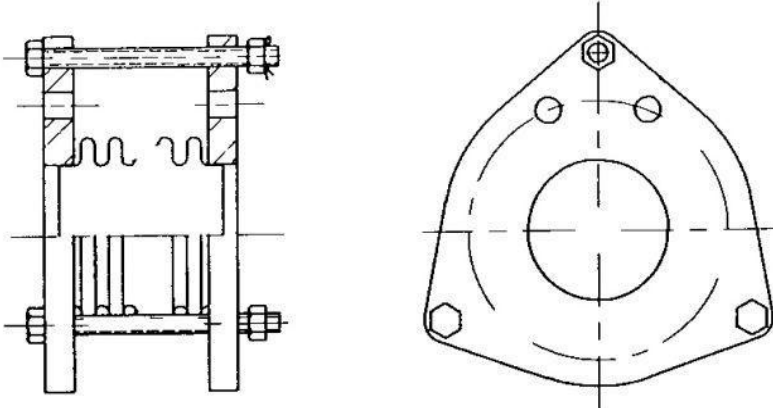


**UNISOURCE
SERIES 418
Bellows Type
Pump Connector**



Construction, Materials:

Bellows: 2-Ply A240-304
Stainless Steel

Tie Rods: Carbon Steel – 3 Rods

Flanges: Triangular Tie-Rod
Flanges—150# ASA
Drilling. Carbon Steel.

Vacuum Rating: Full

Qty	Size (In)	Model Number	Overall Length (Inches)	W.P. @ Temp. (PSIG)		Weight (Lbs.)	Rated Comp. (In.)	Rated Extension (In.)	Rated Offset (In.)	Effective Area (In. ²)
				@ 70°F	@ 360°F					
	2	418-200	4-3/8	225	210	7.0	1/2	1/8	1/8	6.9
	2-1/2	418-250	4-3/8	225	210	7.0	1/2	1/8	1/8	6.9
	3	418-300	4-3/8	225	210	9.0	1/2	1/8	1/8	8.8
	4	418-400	4-5/8	225	210	15.0	1/2	1/8	1/8	15.1
	5	418-500	4-7/8	225	210	23.5	1/2	1/8	1/8	23.5
	6	418-600	5	225	210	33.0	1/2	1/8	1/8	33.2
	8	418-800	5-7/8	225	210	59.0	1/2	1/8	1/8	59.3
	10	418-1000	6-1/4	225	210	94.0	1/2	1/8	1/8	93.5
	12	418-1200	6-5/8	225	210	134.0	1/2	1/8	1/8	134.0

Customer: _____

Project: _____

Engineer: _____

PO#: _____

UNISOURCE —MFG.

*Unisource Series 418
Bellows Type
Pump Connector*